




Outdoor LP Gas Patio Heater


Model No. ES4000COMM

 DANGER	<p>CARBON MONOXIDE HAZARD</p> <ul style="list-style-type: none"> • This appliance can produce carbon monoxide which has no odor. • Using it in an enclosed space can kill you. • Never use this appliance in an enclosed space such as a camper, tent, car or home.
	

 WARNING
FOR YOUR SAFETY:
<p>For Outdoor Use Only (outside any enclosure)</p>

 WARNING
FOR YOUR SAFETY:
<ol style="list-style-type: none"> 1. Improper installation, adjustment, alteration, service or maintenance can cause injury or property damage. 2. Read the installation, operation, and maintenance instructions thoroughly before installing or servicing this equipment. 3. Failure to follow these instructions could result in fire or explosion, which could cause property damage, personal injury, or death. 4. This instruction manual contains important information necessary for the proper assembly and safe use of the appliance. 5. Read and follow all warnings and instructions before assembling and using the appliance. 6. Keep this manual for future reference.

 DANGER
<p>If you smell gas -</p> <ol style="list-style-type: none"> 1. Shut off gas to appliance. 2. Extinguish any open flame. 3. Open lid. 4. If odor continues, keep away from the appliance and immediately call your gas supplier or your fire department.

 WARNING
FOR YOUR SAFETY:
<ol style="list-style-type: none"> 1. Do NOT store or use gasoline or other flammable liquids or vapors in the vicinity of this or any other appliance. 2. An LP cylinder not connected for use shall not be stored in the vicinity of this or any other appliance.

 DANGER
<p>Never operate this appliance unattended while in operation.</p>

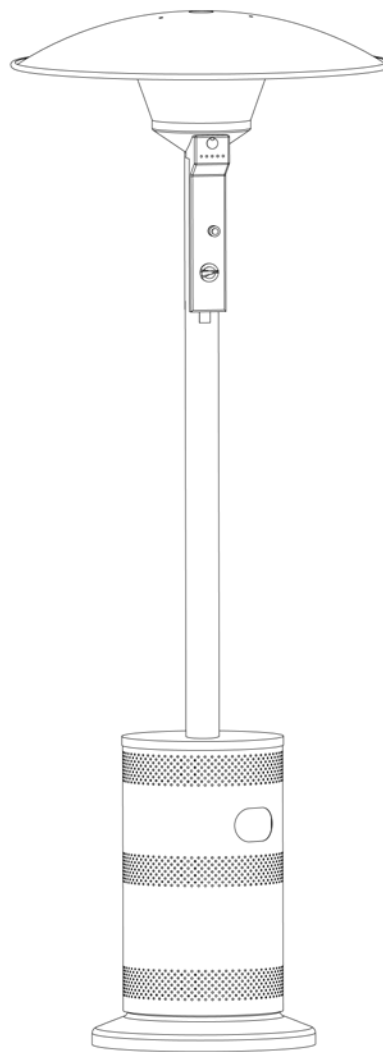


Table of Contents

Important Safeguards	Page 2
Expanded View & Hardware	3
Assembly Instructions	4
Installing LP Gas Tank	7
Inserting LP Gas Tank	7
Securing LP Gas Tank	7
Connecting LP Gas Tank	7
Disconnecting LP Gas Tank	7
Operating Instructions	8
Checking for Leaks	8
Before Lighting	8
Lighting	8
When Heater is On	8
Re-Lighting	8
Shutting Down	8
Cleaning and Care	9
Product Registration	9
Replacement Parts	9
Limited Warranty	9
Specifications	10
Troubleshooting	11

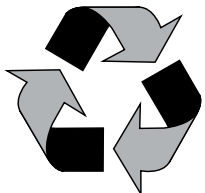
The use and installation must conform with local codes or, in the absence of local codes, with either the *National Fuel Gas Code, ANSI Z223.1/NFPA 54, Natural Gas and Propane Installation Code, CSA B149.1, or Propane Storage and Handling Code, B149.2, or the Standard for Recreational Vehicles, ANSI A 119.2/NFPA 1192, and CSA Z240 RV Series, Recreational Vehicle Code, as applicable.*

THIS INSTRUCTION BOOKLET CONTAINS IMPORTANT SAFETY INFORMATION. PLEASE READ AND KEEP FOR FUTURE REFERENCE.

If you are assembling this unit for someone else, give this manual to him or her to read and save for future reference.

California Proposition 65: Chemicals known to the State of California to cause cancer, birth defects, or other reproductive harm are created by the combustion of propane.

California Proposition 65: Wash your hands after handling this product.



Made from 75% Bagasse
(environmentally friendly sugar
cane pulp by-product)



Important Safeguards

- ▲ **DANGER:** Failure to follow the dangers, warnings and cautions in this manual may result in serious bodily injury or death, or in a fire or an explosion causing damage to property.

- ▲ **WARNINGS:**
- ▲ This heater is for outdoor use only, and should not be used in a building, garage or any other enclosed area.
- ▲ Always maintain at least 36 inch clearance (top and side) from combustible materials. Do NOT use this appliance under any type of overhang or roof.
- ▲ Do NOT operate, light or use this appliance within ten feet (3.05 m) of walls, structures or buildings.
- ▲ This heater is not intended for and should never be used as an indoor heater. TOXIC fumes can accumulate and cause asphyxiation.
- ▲ This heater is safety certified for use in the United States and/or Canada only. Do NOT modify for use in any other location. Modification will result in a safety hazard and will void your warranty.
- ▲ This heater, from the factory, is for use with liquid propane (LP) gas only. The conversion to or attempted use of natural gas in this LP gas heater is dangerous, may cause bodily harm and will void your warranty.
- ▲ LP gas characteristics:
 - a. LP gas is flammable and hazardous if handled improperly. Become aware of the characteristics before using any LP gas product.
 - b. LP gas is explosive under pressure, heavier than air, and settles/pools in low areas.
 - c. LP gas in its natural state has no odor. For your safety, an odorant is added that smells like rotten cabbage.
 - d. Contact with LP gas can cause freeze burns to skin.
- ▲ Apartment dwellers: Check with management to learn the requirements and fire codes for using an LP gas heater in your apartment complex. If allowed, use outside on the ground floor with a ten foot (3.05 m) clearance from any structure. Do NOT use on or under balconies.
- ▲ LP gas cylinder needed to operate. Only cylinders marked "propane" may be used.
- ▲ The LP gas cylinder must be constructed and marked in accordance with the *Specifications for LP-gas Cylinders* of the U.S. Department of Transportation (D.O.T.) or the National Standard of Canada, *CAN/CSA-B339, Cylinders, Spheres and Tubes for the Transportation of Dangerous Goods; and Commission*.
- ▲ LP gas cylinder must be arranged for vapor withdrawal.
- ▲ The LP gas cylinder must have a listed overfilling prevention device (OPD).
- ▲ Only use LP gas cylinders equipped with a cylinder connection device compatible with the connection for outdoor cooking appliances.
- ▲ The LP gas cylinder must have a cylinder collar to protect the cylinder valve.
- ▲ Never use an LP gas cylinder with a damaged body, valve, collar or footing.
- ▲ Dented or rusted LP gas cylinders may be hazardous and should be checked by your LP gas supplier prior to use.
- ▲ The LP gas cylinder should not be dropped or handled roughly.
- ▲ LP gas cylinders must be stored outdoors out of the reach of children and must not be stored in a building, garage or any other enclosed area. Your cylinder must never be stored where temperatures can reach over 125°F.
- ▲ Do NOT insert any tool or foreign object into the valve outlet or safety relief valve. You may damage the valve and cause a leak. Leaking propane may result in an explosion, fire, severe personal injury or death.
- ▲ Do NOT block holes in sides or back of the heater.
- ▲ Never keep an LP gas cylinder in a hot car or trunk. Heat will cause the gas pressure to increase, which may open the relief valve and allow gas to escape.
- ▲ Place dust cap on cylinder valve outlet whenever the cylinder is not in use. Only install the type of dust cap on the cylinder valve outlet that is provided with the cylinder valve. Other types of caps or plugs may result in leakage of propane.
- ▲ If heater is not in use, the gas must be turned off at the supply cylinder and disconnected.
- ▲ Do NOT store a spare LP gas cylinder under or near this appliance.
- ▲ Never fill the cylinder beyond 80 percent full.
- ▲ A fire causing serious injury or damage to property may occur if the above is not followed exactly.
- ▲ Never attempt to attach this heater to the self-contained LP gas system of a camper trailer, motor home or house.
- ▲ Never use charcoal, lighter fluid, lava rocks, gasoline, kerosene or alcohol with this product.
- ▲ Your heater has been checked at all factory connections for leaks. Recheck all connections as described in the "Operating Instructions" section, as shipping can loosen connections.
- ▲ Check for leaks even if your unit was assembled by someone else.
- ▲ Do NOT operate if a gas leak is present. Gas leaks may cause a fire or explosion.
- ▲ You must follow all instructions in "Checking for Leaks" section before operating. To prevent fire or explosion hazard when testing for a leak:
 - a. Always perform a leak test before lighting the heater and each time the cylinder is connected for use.
 - b. No smoking. Do NOT use or permit sources of ignition in the area while conducting a leak test.
 - c. Conduct the leak test outdoors in a well-ventilated area.
 - d. Do NOT use matches, lighters, or a flame to check for leaks.
 - e. The use of alcohol, prescription or non-prescription drugs may impair the consumer's ability to properly assemble or safely operate the appliance.
 - f. Strong odors, colds, sinus congestion, etc. may prevent the detection of propane. Use caution and common sense when testing for leaks.
 - g. Do NOT use heater until any and all leaks are corrected. If you are unable to stop a leak, disconnect the LP gas supply. Call a gas appliance serviceman or your local LP gas supplier.
- ▲ This heater is designed to operate at an inlet pressure of 11 inches water column.
- ▲ Do NOT store or use gasoline or other flammable liquids or vapors within 25 feet (7.62 m) of this appliance.
- ▲ Do NOT use in an explosive atmosphere. Keep heater area clear and free from combustible materials, gasoline and other flammable vapors and liquids.
- ▲ It is essential to keep the heater's valve compartment, burners and circulating air passages clean.
- ▲ Inspect heater before each use.
- ▲ Do NOT alter heater in any manner. Any alteration will void your warranty.
- ▲ Do NOT use the heater unless it is COMPLETELY assembled and all parts are securely fastened and tightened.
- ▲ Do NOT build this model of heater in any built-in or slide-in construction. Ignoring this warning could cause a fire or an explosion that can damage property and cause serious bodily injury or death.
- ▲ This heater should be thoroughly cleaned and inspected on a regular basis.
- ▲ Clean and inspect the hose before each use of the appliance. If there is evidence of abrasion, wear, cuts or leaks, the hose must be replaced prior to operation.
- ▲ Use only the regulator and hose assembly provided. Use only the replacement regulator and hose assembly specified by Blue Rhino Global Sourcing, Inc.
- ▲ Use only Blue Rhino Global Sourcing, Inc. factory-authorized parts. The use of any part that is not factory-authorized can be dangerous and will void your warranty.
- ▲ Do NOT operate this appliance without reading "Operating Instructions" in this manual.

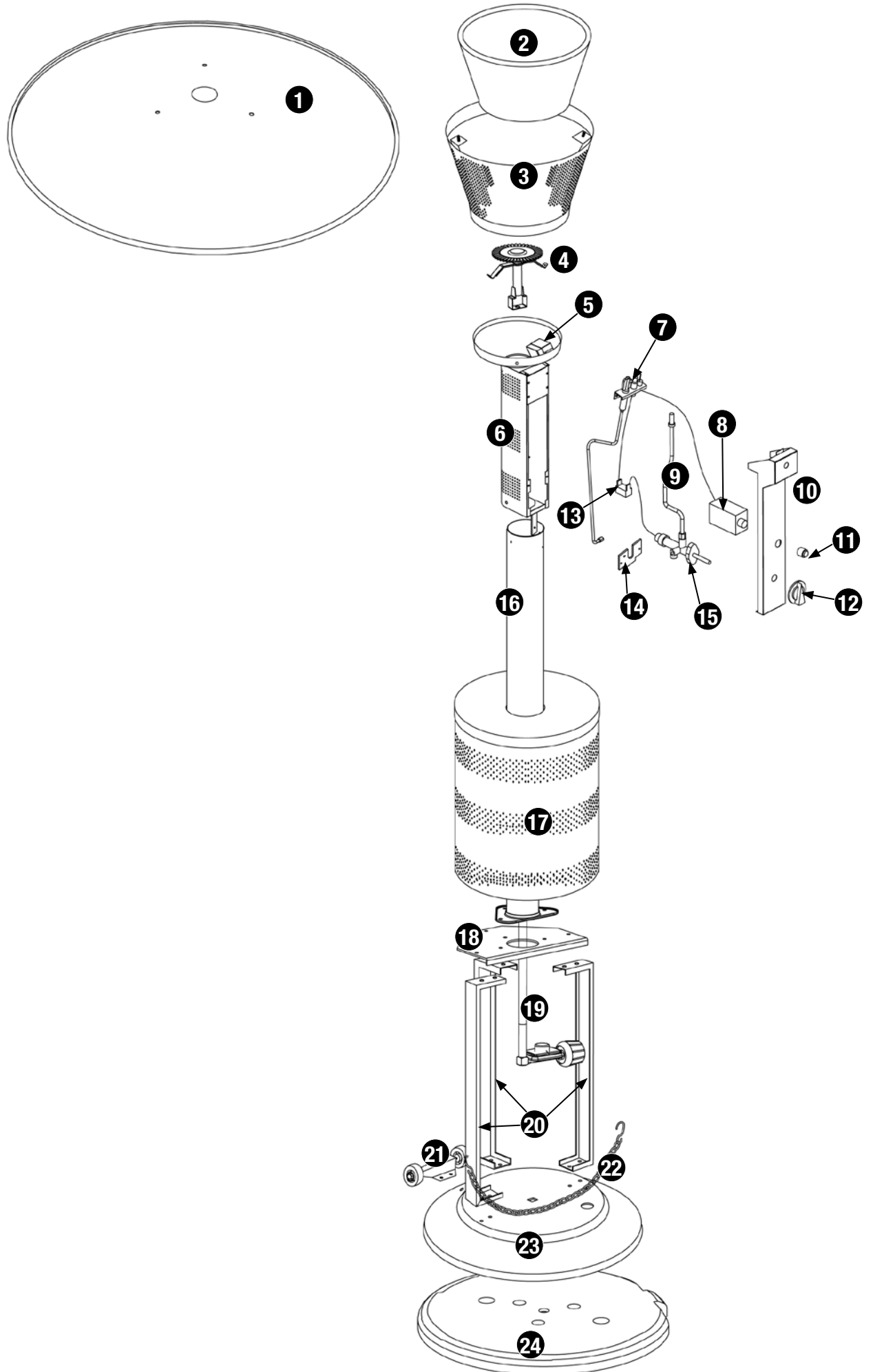


- ▲ Dome and burner are extremely hot to the touch during operation. Never touch the dome or burner while the heater is operating. The surface of heater's emitter can reach temperatures approaching 1600°F.
- ▲ Do NOT touch metal parts of heater until they have completely cooled to avoid burns, unless you are wearing protective gear (pot holders, gloves, BBQ mittens, etc.).
- ▲ Do NOT install or use in or on boats or recreational vehicles.
- ▲ When using, fire extinguishing materials should be readily accessible.
- ▲ Do NOT use heater in winds exceeding 10 mph (16.1 km/h).
- ▲ Do NOT leave a lit heater unattended. Keep children and pets away from heater at all times.
- ▲ Do NOT place anything on the heater while the appliance is in operation.
- ▲ Keep sprinklers and other water sources away from burner and controls.
- ▲ Do NOT hang clothing or other flammable materials either on or near heater.
- ▲ Never cover the heater shroud while LP gas tank is enclosed.
- ▲ Do NOT attempt to move heater when in use. Allow the heater to cool before moving or storing.
- ▲ LP gas cylinder must be properly disconnected and removed prior to moving this heater.
- ▲ Storage of heater indoors is permissible only if the cylinder is disconnected, removed from the heater and properly stored outdoors.
- ▲ Do NOT attempt to disconnect the gas regulator from the cylinder or any gas fitting while the heater is in use.
- ▲ Always place your heater on a hard, non-combustible, level surface. An asphalt or blacktop surface may not be acceptable for this purpose.
- ▲ Move gas hoses as far away as possible from hot surfaces and dripping hot grease.
- ▲ Keep all electrical cords away from a hot heater.
- ▲ After a period of storage and/or nonuse, check for leaks, burner obstructions and inspect for any abrasion, wear or cuts to the hose.
- ▲ If at any time you are unable to light burner and you smell gas, turn off and wait 5 minutes to allow gas to dissipate before attempting to light heater.
- ▲ Failure to not wait 5 minutes to allow the gas to clear if the heater does not light may result in an explosive flame-up.
- ▲ Be careful when attempting to manually ignite this heater. Holding in the control knob for more than 10 seconds before igniting the gas will cause a ball of flame upon ignition.
- ▲ Avoid inhaling fumes emitted from the heater's first use. Smoke and odor from the burning of oils used in manufacturing will appear. Both smoke and odor will dissipate after approximately 30 minutes. The heater should NOT produce thick black smoke.
- ▲ Use protective gloves when assembling this product.
- ▲ Do NOT force parts together as this can result in personal injury or damage to the product.
- ▲ Death, serious injury or damage to property may occur if the above is not followed exactly.

Parts List

1	Dome	56-01-309
2	Insulation Cone*	56-01-114
3	Emitter Screen*	56-01-113
4	Burner*	56-01-122
5	Pilot Heat Shield*	56-01-153
6	Valve Housing*	56-01-099
7	Pilot Assembly*	56-01-127
8	Electronic Igniter*	56-01-142
9	Burner Supply Tube with Orifice*	56-01-276
10	Access Panel*	56-01-140
11	Igniter Button*	56-01-708
12	Control Knob*	56-01-156
13	Tip Switch*	56-01-019
14	Valve Bracket*	56-01-148
15	Valve*	56-01-144
16	Pole	56-02-001
17	Shroud	56-02-002
18	Platform	56-01-165
19	Regulator/Hose Assembly	56-02-003
20	Leg (3)	56-01-193
21	Wheel	56-01-266
22	Tank Retention Chain	56-01-186
23	Base	56-01-196
24	Weight Plate	56-01-384

* Pre-assembled

Expanded View

Hardware

A	Screw	1/4" - 20 x 15 Nickel Phillips Head	4 pcs
B	Bolt	1/4" - 20 x 20 Zinc Plated Hex Head	12 pcs
C	Bolt	M8 x 15 Zinc Plated Hex Head	2 pcs
D	Bolt	3/8" - 16 x 95 Zinc Plated Hex Head	1 pc
E	Nut	1/4" - 20 Zinc Plated	12 pcs
F	Nut	M8 Zinc Plated	2 pcs
G	Nut	3/8" - 16 Zinc Plated	1 pc
H	Nut	M8 Stainless Steel Cap	3 pcs
I	Washer	ø6 Zinc Plated	12 pcs
J	Washer	ø8 Zinc Plated	2 pcs
K	Washer	ø10 Zinc Plated	1 pc
L	AA Battery		1 pc

Tools Required for Assembly (Not Included)

7/16" Wrench	1 pc
1/2" Wrench	1 pc
9/16" Wrench	1 pc
7/16" Socket and Socket Wrench	1 pc
#2 Phillips Head Screwdriver	1 pc



Assembly Instructions

1 DO NOT RETURN TO PLACE OF PURCHASE.

For assistance, call **1.800.762.1142** toll-free. Please have your Owner's Manual and model number available for reference.

Note: The model number is printed on a label which can be found on the back or side of the valve housing.

Assembly Tips:

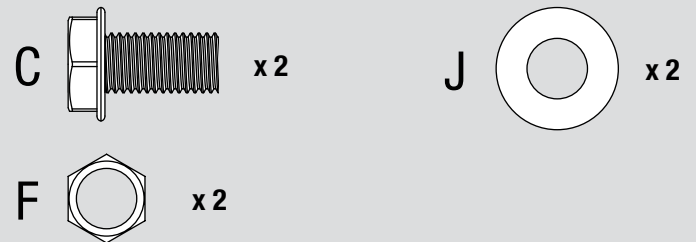
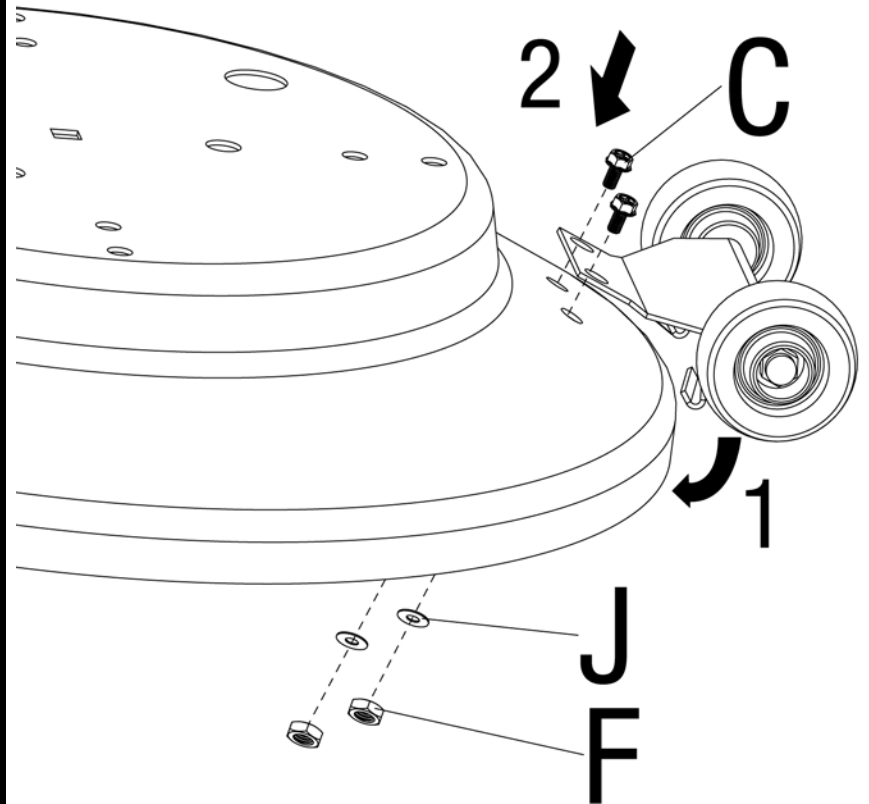
1. Select an area where you will assemble this product. To protect components, choose a smooth surface that's free of cracks or openings.
2. Spread out all parts.
3. Tighten all hardware connections by hand first. Then, before completing each step, go back and fully tighten all hardware. Be careful not to over-tighten. That could damage surfaces or strip threads.
4. For best results, complete each step in the order presented.

To complete assembly you will need:

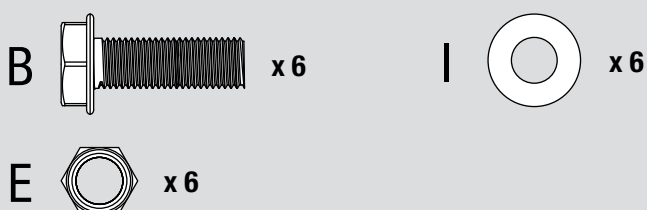
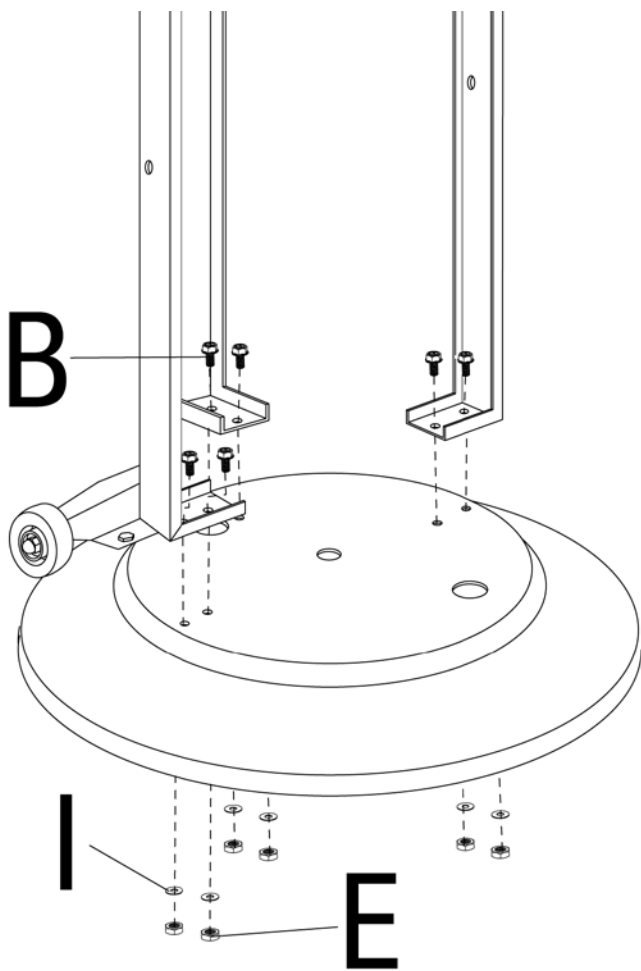
- (1) Leak detection solution (instructions on how to make the solution are included in the "Operating Instructions" section of this manual).
- (1) Precision-filled LP gas grill tank with Acme Type 1 external threaded valve connection (standard grill size).

Typical assembly is approximately one hour.

2 Attach Wheels

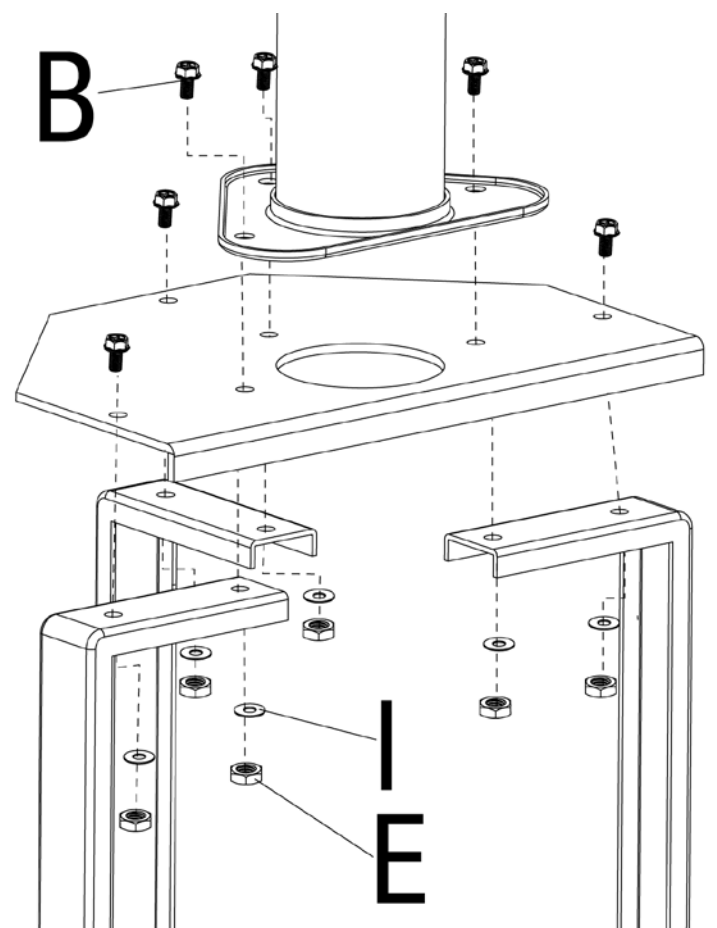


3 Attach Legs



4 Attach Platform and Pole

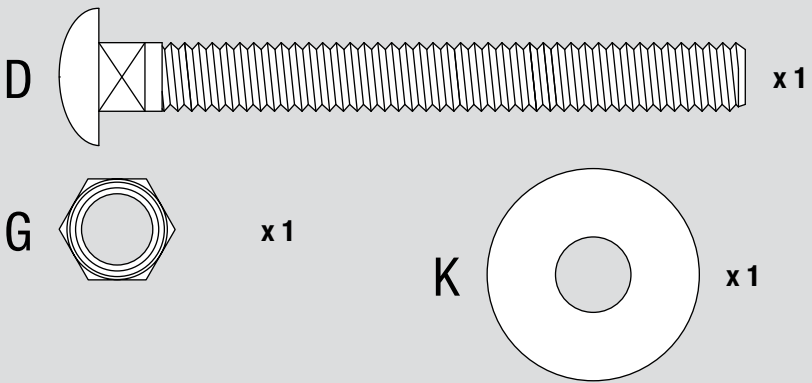
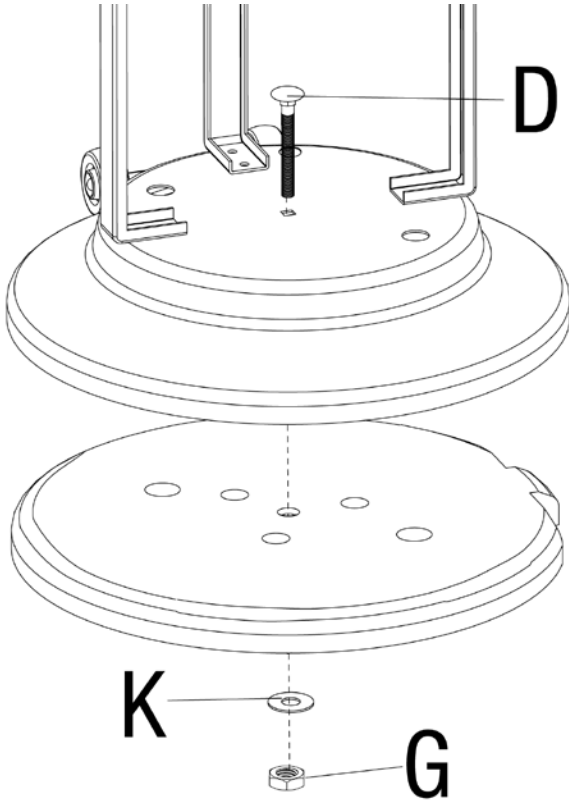
TIP: To tighten use a 7/16" wrench on bolt and a 7/16" socket wrench on nut.



Assembly Instructions (continued)

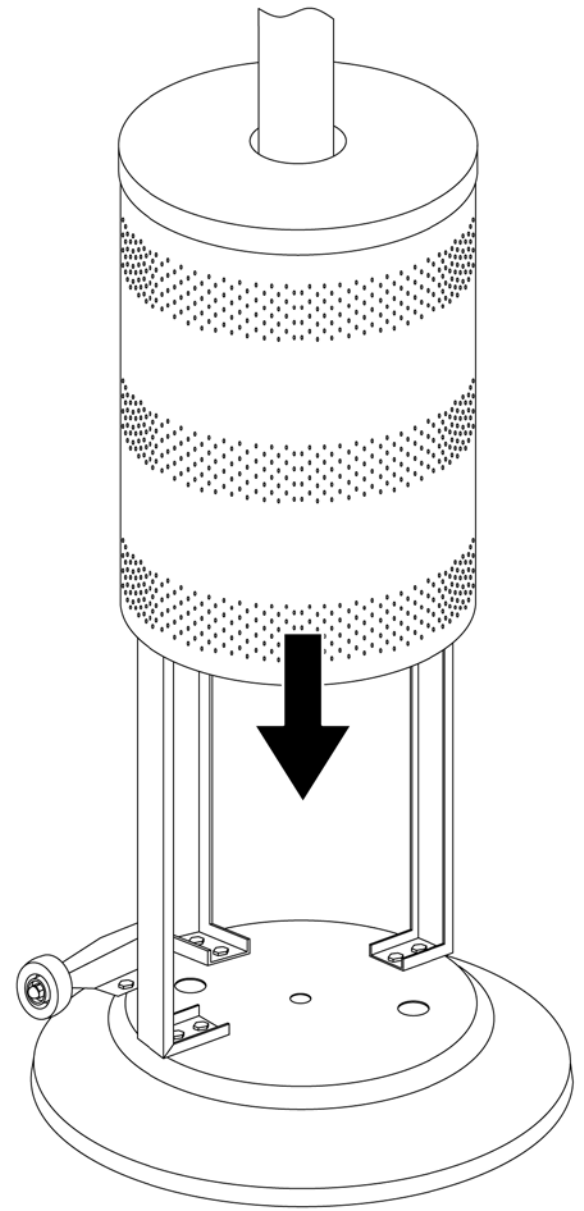
5

Attach Weight Plate



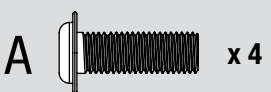
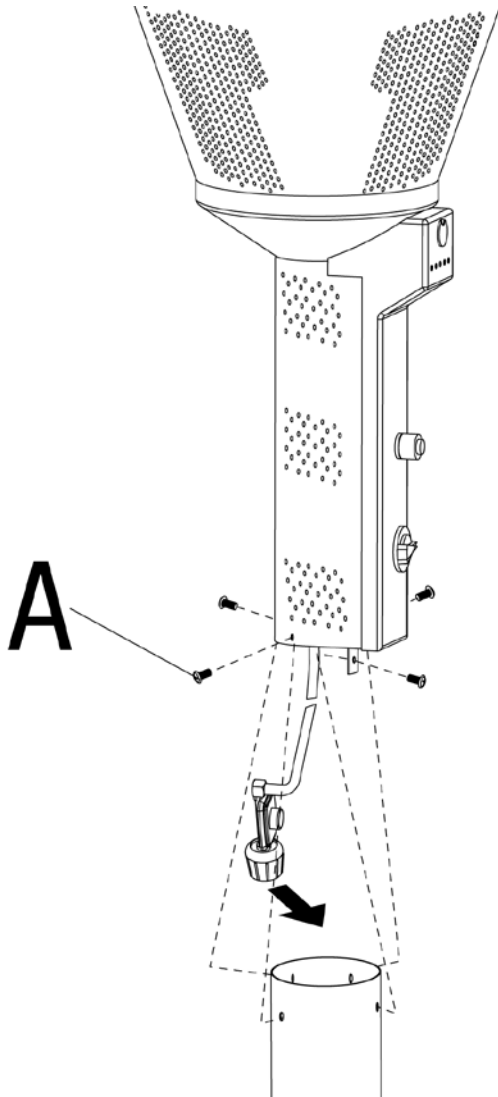
6

Place Shroud



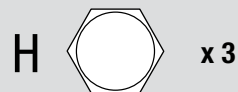
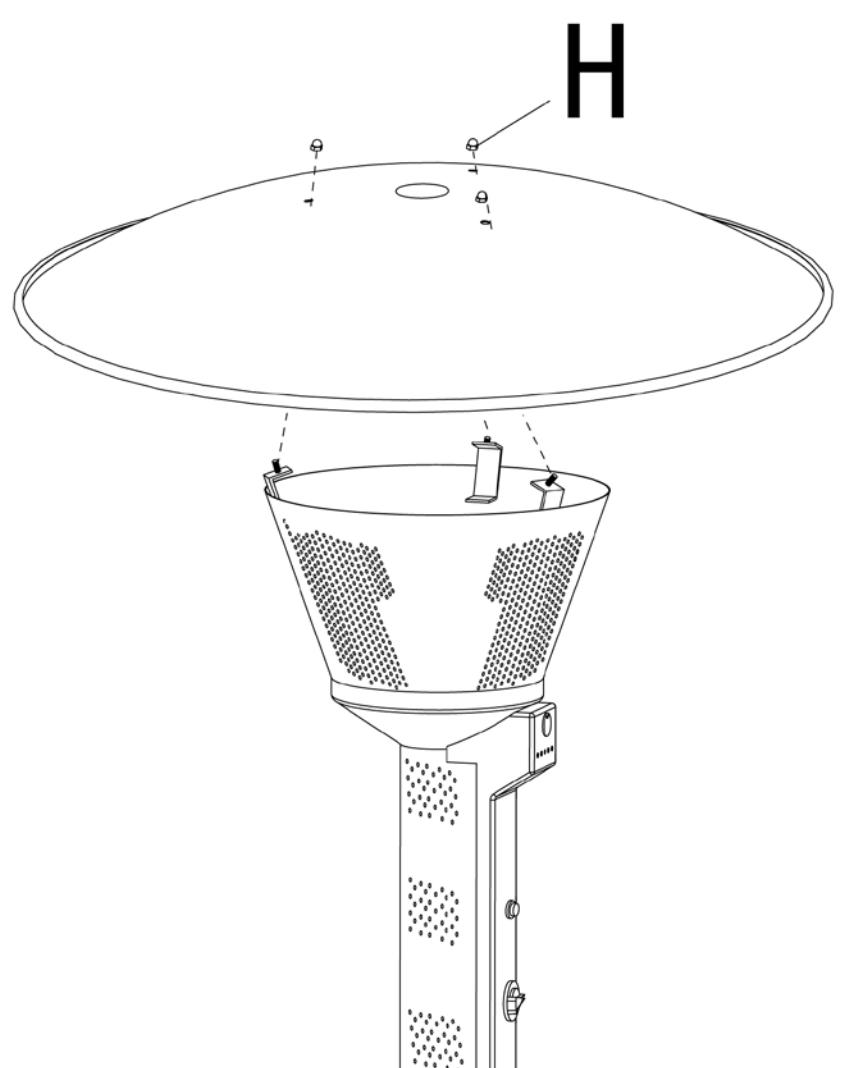
7

Insert Regulator/Hose Assembly and Attach Engine



8

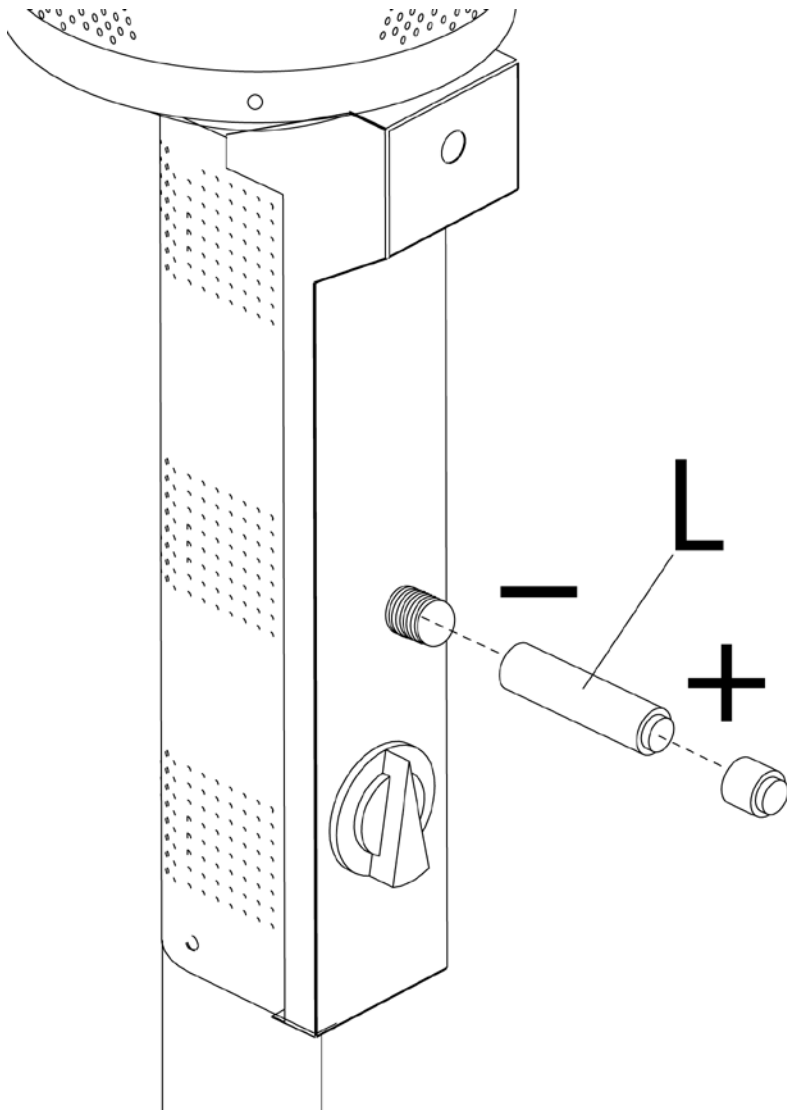
Attach Dome A





9

Insert Battery

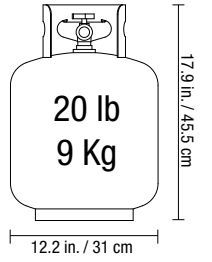


L  x 1

Installing LP Gas Tank

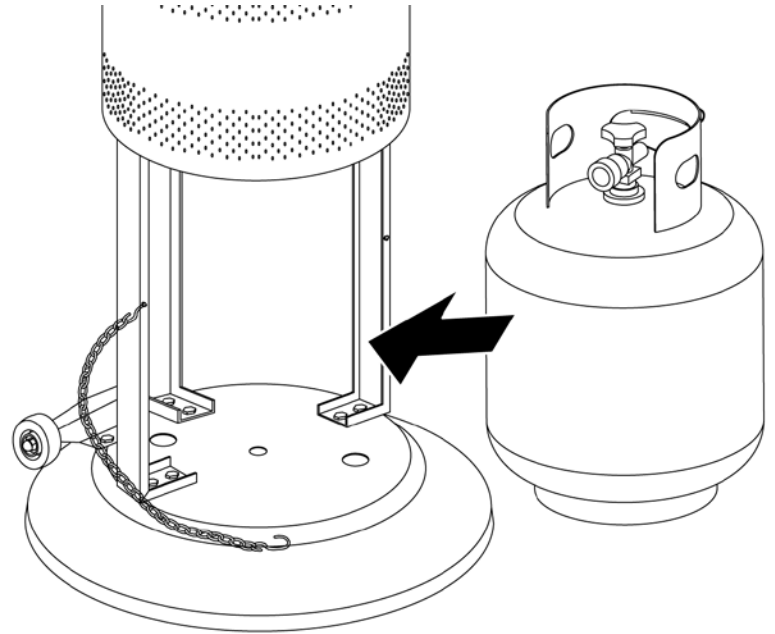
To operate, you will need one precision-filled standard grill LP gas tank with external valve threads.

CAUTION: LP gas tank must be properly disconnected and removed prior to moving this heater.



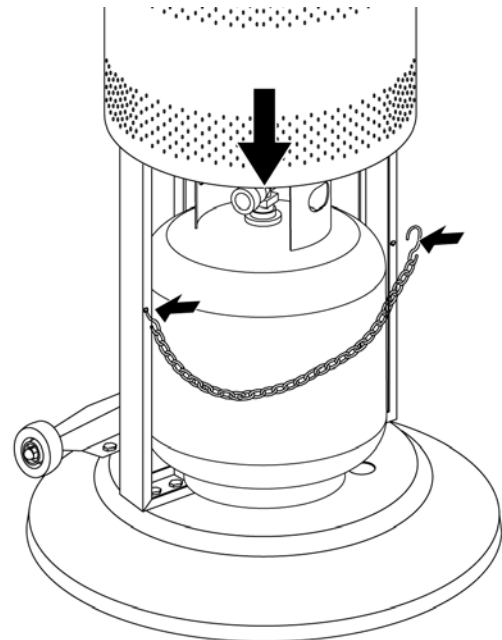
Insert LP Gas Tank

Place precision-filled LP gas tank upright into the opening in the base so the tank valve is facing the gas line connection.



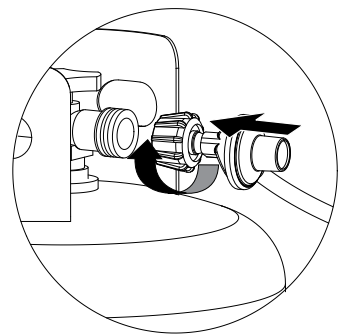
Secure LP Gas Tank

Secure tank in place by attaching loose end of tank restraint chain to hole in right leg.



Connecting LP Gas Tank

1. Before connecting, be sure there is no debris caught in the head of the LP gas tank, head of the regulator hose or in the head of the burner or burner ports.
2. Connect regulator/hose assembly to tank by turning knob clockwise until it stops.

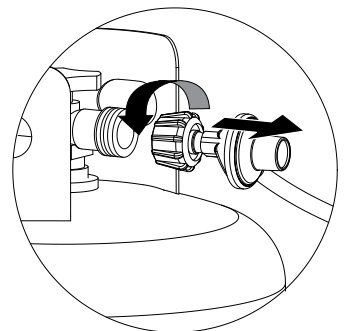


Disconnecting LP Gas Tank

1. Before disconnecting, make sure the LP gas tank valve is "CLOSED."
2. Disconnect regulator/hose assembly from LP gas tank by turning knob counterclockwise until it is loose.

CAUTION: LP gas tank must be properly disconnected and removed prior to moving this heater.

3. Place the protective cap cover on the LP tank and store the tank outdoors in a well ventilated area out of direct sunlight.



Getting More Propane

Need a tank of gas? One option is to try propane exchange. It's easy, fast, safe, and available at tens of thousands of conveniently located retail outlets nationwide, which are typically open nights and weekends. You can purchase a fresh, precision-filled tank or exchange your empty for a fresh, precision-filled tank. Another option is to have your tank refilled at a refill station. Be sure to check the hours of operation for the refill station.

Operating Instructions

Checking for Leaks

Tank/Gas Line Connection

1. Make 2-3 oz. of leak detection solution by mixing one part liquid dishwashing soap with three parts water.
2. Make sure control knobs are in the "OFF" position (Figure 3).
3. Connect LP gas tank per "Installing LP Gas Tank" section.
4. Turn LP gas tank valve to "OPEN."
5. Spoon several drops of solution, or use a squirt bottle, at all "X" locations (Figures 1 and 2).
 - a. If any bubbles appear, turn LP gas tank valve to "CLOSED," reconnect and re-test.
 - b. If you continue to see bubbles after several attempts, turn LP gas tank valve to "CLOSED" and disconnect LP gas tank, per "Disconnecting LP Gas Tank" section. Contact 1.800.762.1142 for assistance.
 - c. If no bubbles appear after one minute, turn LP gas tank valve to "CLOSED," wipe away solution and proceed.

Figure 1

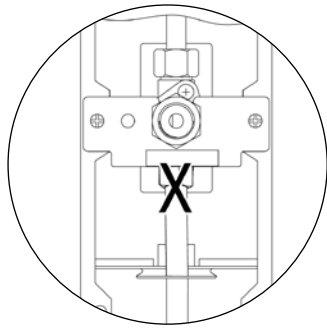


Figure 2

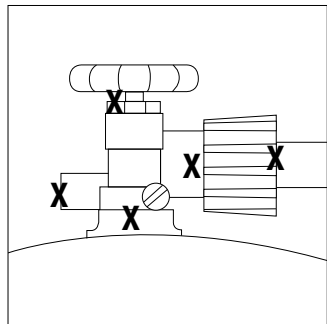


Figure 3

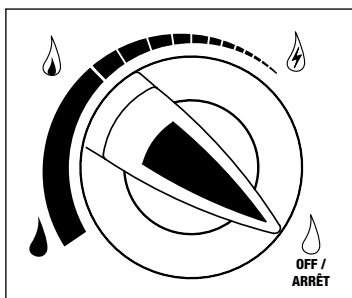


Figure 4

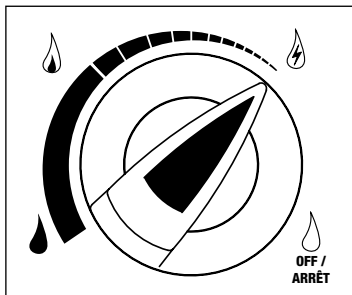


Figure 5

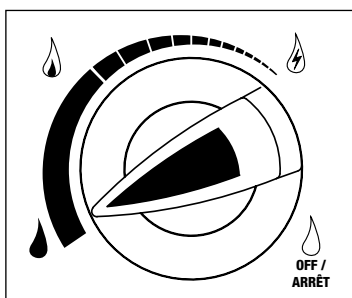


Figure 6

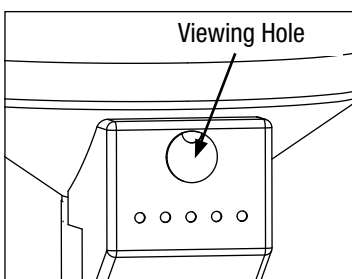
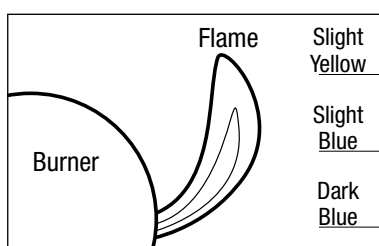


Figure 7



Before Lighting

First Use

1. Make sure all labels, packaging and protective films have been removed from the heater.
2. Remove manufacturing oils on this heater for the first time by operating the heater for at least 15 minutes on (HIGH). This will "heat clean" the internal parts and dissipate odors.

Before Every Use

1. Inspected thoroughly before each use, and by a qualified service person at least annually.
2. If relighting a hot heater, always wait at least 5 minutes.
3. Inspect the hose assembly for evidence of excessive abrasion, cuts or wear.
 - a. Suspected areas should be leak tested.
 - b. If the hose leaks, it must be replaced prior to operation.
 - c. Only use the replacement hose assembly specified by manufacturer.

Lighting

This heater is equipped with a pilot light that allows for safer startups and shutdowns. Pilot must be lit before main burner can be started.

1. Check for obstructions of airflow to the burners. Spiders, insects and webs can clog the burner/venturi tube. A clogged burner tube can lead to a fire.
2. Control knob must be in the "OFF" position (Figure 3).
3. Connect LP gas tank per "Installing LP Gas Tank" section.
4. Turn LP gas tank valve to "OPEN."
5. Open viewing hole by sliding cover to either side (Figure 6).
6. Push control knob in and rotate to (pilot) position (Figure 4).
Note: For initial start or after any tank change, hold control knob in for 2 minutes to purge air from gas lines before proceeding. Then wait 5 minutes before lighting heater.
7. Immediately push (igniter) button for five (5) seconds. Pilot light flame will appear and be visible through viewing hole (Figure 6).
8. Release control knob after 30 seconds. Pilot light will remain lit.
9. If ignition does not occur, turn control knob to "OFF," wait 5 minutes and repeat lighting procedure.

10. Turn control knob to (high) (Figure 5). Main burner will light immediately. Flame should be visible through viewing hole. If not, turn control knob "OFF," wait 5 minutes, and repeat lighting procedure.
11. If for some reason your igniter fails to deliver a spark, your heater can be started by inserting a lit match through the pilot viewing hole while pushing the control knob in while in the (pilot) position.

- ▲ **WARNING: Be careful when attempting to manually ignite this heater. Holding in the control knob for more than 10 seconds before igniting the gas will cause a ball of flame upon ignition.**
- ▲ **CAUTION: If burner flame goes out during operation, immediately turn the control knob to the "OFF" position, LP gas tank valve "CLOSED" and let the gas clear for 5 minutes before re-lighting.**

TIP: The burner may be noisy when initially turned on. To eliminate excessive noise from the burner turn the control knob to the (pilot) position, then turn the knob to the level of heat desired.

When Heater is On

- ▲ **WARNING: Dome and burner are extremely hot to the touch during operation. Never touch the dome or burner while the heater is operating. The surface of heater's emitter can reach temperatures approaching 1600°F.**
- ▲ **WARNING: Do NOT touch metal parts of heater until they have completely cooled to avoid burns, unless you are wearing protective gear (pot holders, gloves, BBQ mittens, etc.).**
- Emitter screen will become bright red due to intense heat. The color is more visible at night.
- Burner will display tongues of blue and yellow flame. These flames should not be yellow or produce thick black smoke, indicating an obstruction of airflow through the burners. The flame should be blue with straight yellow tops (Figure 7).
- If excessive yellow flame is detected, turn off heater and visit BlueRhino.com for cleaning instructions or call 1.800.762.1142.
- ▲ **CAUTION: If burner flame goes out during operation, immediately turn the control knob to the "OFF" position, LP gas tank valve "CLOSED" and let the gas clear for 5 minutes before re-lighting.**

Re-lighting

Note: For your safety, the control knob cannot be turned to the "OFF" position without first depressing control knob in (pilot) position and then rotating it to "OFF."

1. Turn control knob to "OFF."
2. Wait at least 5 minutes to let gas dissipate.
3. Repeat the "Lighting" procedure.

Turning Off

1. Turn control knob clockwise to the (pilot) position. Burner will extinguish but pilot will remain "ON."
2. Turn LP gas tank valve to "CLOSED."
Note: A "poof" sound is normal as the last of the LP gas is burned.
3. Disconnect LP gas tank per "Disconnecting LP Gas Tank" section.

Note: After use, some discoloration of the emitter screen is normal.

Cleaning and Care

- ▲ **CAUTION:**
 1. All cleaning and maintenance should be done when heater is cool and with the fuel supply disconnected.
 2. Do NOT clean any heater part in a self-cleaning oven. The extreme heat will damage the finish.
 3. Do NOT enlarge valve orifices or burner ports when cleaning the valves or burners.

Notices

1. This heater should be thoroughly cleaned on a regular basis.
2. Abrasive cleaners will damage this product.
3. Never use oven cleaner to clean any part of heater.
4. More frequent cleaning may be required as necessary. It is imperative that control compartment, burners and circulating air passageways of the heater be kept clean.
5. Have heater inspected annually and repairs should be made by a qualified service person.
6. Inspect heater before each use.
7. Spiders and insects can create a dangerous condition that may damage the heater or make it unsafe. Keep burner area clean of all spiders, webs and insects. Clean burner holes by using a heavy-duty pipe cleaner. Compressed air may help clear away smaller particles.



Operating Instructions

8. Check heater immediately if any of the following conditions exist:
 - a. You smell gas in conjunction with extreme yellow tipping of burner flames.
 - b. Heater does not reach proper temperature.
Note: At temperatures less than 40°F, heat output will be reduced.
 - c. Heater's glow is excessively uneven.
 - d. Burner makes popping noises during use.
Note: A "poof" sound is normal as the last of the LP gas is burned.
9. Carbon deposits may create a fire hazard. Keep dome and emitter clean at all times.
10. Do NOT clean heater with combustible or corrosive cleaners. Use warm, soapy water.
11. Do NOT paint engine, engine access panel or dome.
12. After a period of storage and/or non use, check for leaks, burner obstructions and inspect for any abrasion, wear or cuts to the hose.
13. Check under the dome and engine area periodically for any obstructions such as spiderwebs, bird nests, etc.

Before Each Use:

1. Keep the heater area clean and free from any combustible materials, gasoline, and other flammable vapors and liquids.
2. Do NOT obstruct the flow of the combustion of LP gas and the ventilation of air.
3. Keep the ventilation opening(s) of the LP gas tank area free and clear from debris.
4. Visually check the burner flames to make sure your heater is working properly.
5. See sections below for proper cleaning instructions.
6. Check for obstructions of airflow to the burners. Spiders, insects and webs can clog the burner/venturi tube. A clogged burner tube can lead to a fire.

Cleaning Surfaces

1. Wipe surfaces clean with mild dishwashing detergent or baking soda mixed with water.
2. For stubborn surfaces, use a citrus-based degreaser and a nylon scrubbing brush.
3. Rinse clean with water.
4. Allow to air dry.

Note: While cleaning your unit, be sure to keep the area around the burner and pilot assembly dry at all times. Do NOT submerge the control valve assembly. If the gas control is submerged in water, do NOT use it. It must be replaced.

Maintenance

To enjoy years of outstanding performance from your heater, make sure you perform the following maintenance activities on a regular basis:

1. Keep exterior surfaces clean.
2. Perform routine maintenance.
3. Air flow must be unobstructed. Keep controls, burner, and circulating air passageways clean. Signs of possible blockage include:
 - Gas odor with extreme yellow tipping of flame.
 - Heater does NOT reach the desired temperature.
 - Heater glow is excessively uneven.
 - Heater makes popping noises.

Note: In a salt-air environment (such as near an ocean), corrosion occurs more quickly than normal. Frequently check for corroded areas and repair them promptly.

TIP: Use high-quality automobile wax to help maintain the appearance of your heater. Apply to exterior surfaces from the pole down. Do NOT apply to emitter screen or domes.

Storage and Transporting

1. Make sure control knob is in the "OFF" position and LP gas tank valve is "CLOSED."
 2. Disconnect LP gas tank per "Disconnecting LP Gas Tank" section.
 3. Clean all surfaces per "Cleaning Surfaces" section.
 4. Cover the patio heater with a patio heater cover to help protect from the weather and build up in air passages.
- ⚠ WARNING: Wait until heater is cool before covering.**
5. Store heater upright in an area sheltered from direct contact with inclement weather (such as rain, sleet, hail, snow, dust, debris and high winds).
 6. Place the protective cap cover on the LP tank and store the tank outdoors in a well ventilated area out of direct sunlight.

Product Registration

For faster warranty service, register your product immediately at BlueRhino.com/warranty or by calling 1.800.762.1142.

Replacement Parts

Replacement parts can be found at parts.BlueRhino.com or by calling 1.800.762.1142.

Limited Warranty

Blue Rhino Global Sourcing, Inc. ("Blue Rhino") warrants to the original retail purchaser of this product, and to no other person, that if this product is assembled, maintained, and operated in accordance with the printed instructions accompanying it, then for a period of five (5) years for the burners and one (1) year for all remaining parts from the date of purchase, all parts in such product shall be free from defects in material and workmanship. Blue Rhino may require reasonable proof of your date of purchase. Therefore, you should retain your sales slip or invoice. This Limited Warranty shall be limited to the repair or replacement of parts, which prove defective under normal use and service and which Blue Rhino shall determine in its reasonable discretion upon examination to be defective. Before returning any parts, you should contact Blue Rhino's Customer Care Department using the contact information listed below. If Blue Rhino confirms, after examination, a defect covered by this Limited Warranty in any returned part, and if Blue Rhino approves the claim, Blue Rhino will replace such defective part without charge. If you return defective parts, transportation charges must be prepaid by you. Blue Rhino will return replacement parts to the original retail purchaser, freight or postage prepaid.

This Limited Warranty does not cover any failures or operating difficulties due to accident, abuse, misuse, alteration, misapplication, improper installation or improper maintenance or service by you or any third party, or failure to perform normal and routine maintenance on the product as set out in this owner's manual. In addition, the Limited Warranty does not cover damage to the finish, such as scratches, dents, discoloration, rust or other weather damage, after purchase.

This Limited Warranty is in lieu of all other express warranties. Blue Rhino disclaims all warranties for products that are purchased from sellers other than authorized retailers or distributors, including the warranty of merchantability or the warranty of fitness for a particular purpose. Blue Rhino ALSO DISCLAIMS ANY AND ALL IMPLIED WARRANTIES, INCLUDING WITHOUT LIMITATION THE IMPLIED WARRANTIES OF MERCHANTABILITY AND FITNESS FOR A PARTICULAR PURPOSE. Blue Rhino SHALL HAVE NO LIABILITY TO PURCHASER OR ANY THIRD PARTY FOR ANY SPECIAL, INDIRECT, PUNITIVE, INCIDENTAL, OR CONSEQUENTIAL DAMAGES. Blue Rhino further disclaims any implied or express warranty of, and assumes no responsibility for, defects in workmanship caused by third parties.

This Limited Warranty gives the purchaser specific legal rights; a purchaser may have other rights depending upon where he or she lives. Some jurisdictions do not allow the exclusion or limitation of special, incidental or consequential damages, or limitations on how long a warranty lasts, so the above exclusion and limitations may not apply to everyone.

Blue Rhino does not authorize any person or company to assume for it any other obligation or liability in connection with the sale, installation, use, removal, return, or replacement of its equipment, and no such representations are binding on Blue Rhino.

Blue Rhino Global Sourcing, Inc.
Winston-Salem, North Carolina 27105 USA
1.800.762.1142

Specifications

Certifications:

CSA International Requirement 5.90
Canadian National Standard CAN1-2.23-M82

Rating:

Maximum 40,000 BTU/hr. input

Heat Range:

Up to 20 foot diameter

Fuel:

Liquid Propane Gas (LP)

Tank Size:

Nominal 20 lb / 5 Gallon

Inlet Gas Supply Pressure:

Maximum – 150 PSI
Minimum – 5 PSI

Manifold Pressure:

11.00 in. W.C.

Engine:

IPP E1

Safety Features:

100% Burner shut-off
Tilt Switch

Manufacturer:

Blue Rhino Global Sourcing, Inc.

Made In:

China

Troubleshooting

Problem	Possible Cause	Prevention/Cure
Pilot won't light	LP gas tank valve is closed	Make sure regulator is securely attached to the LP gas tank per "Installing LP Gas Tank," then turn LP gas tank valve to "OPEN"
	LP gas tank is low or empty	Exchange, refill or replace LP gas tank
	LP gas leak	1. Turn LP gas tank valve to "CLOSED" 2. Wait 5 minutes for gas to clear 3. Follow "Checking for Leaks" section
	Battery needs to be changed	Replace the "AA" battery (follow assembly step for inserting battery)
	Igniter fails	Light the heater manually with a match, per the "Lighting Instructions." If heater lights with a match, replace igniter
	Blockage in pilot or orifice	Clean the pilot assembly: Download and follow the correct cleaning instructions from BlueRhino.com
	Air in gas line	1. Open gas line and bleed it (pressing control knob in) for not more than 1 - 2 minutes or until you smell gas 2. Turn control knob to "OFF" 3. Wait at least 5 minutes for gas to dissipate
Burner won't light Note: Heater operates at reduced efficiency below 40°F (5°C).	Control knob is NOT in an ON position	Review "Lighting Instructions" section and try again
	Control knob IS in an ON position	Review "Lighting Instructions" section and try again
	LP gas tank is low or empty	Exchange, refill or replace LP gas tank
	LP gas leak	1. Turn LP gas tank valve to "CLOSED" 2. Wait 5 minutes for gas to clear 3. Follow "Checking for Leaks" section
	Blockage in orifice	Clear blockage: Download and follow the correct cleaning instructions from BlueRhino.com
	Connection between gas valve and burner assembly is loose	1. Turn off heater per "Turning Off" instructions. 2. Disconnect LP gas tank per "Disconnecting LP Gas Tank" instructions. 3. Tighten connection. 4. Perform leak check per "Checking for Leaks" instructions.
	Air in gas line	Open gas line and bleed it (pressing control knob in) for not more than 1 - 2 minutes or until you smell gas.
Pilot won't stay lit Note: Heater operates at reduced efficiency below 40°F (5°C).	Dirt built up around pilot	Clean the pilot assembly: Download and follow the correct cleaning instructions from BlueRhino.com
	Connection between gas valve and pilot assembly is loose	1. Turn off heater per "Turning Off" instructions. 2. Disconnect LP gas tank per "Disconnecting LP Gas Tank" instructions. 3. Tighten connection. 4. Perform leak check per "Checking for Leaks" instructions.
	Air in gas line	Open gas line and bleed it (pressing control knob in) for not more than 1 - 2 minutes or until you smell gas.
	Thermocouple is not operating correctly	1. Clean the heater: Download and follow the correct cleaning instructions from BlueRhino.com. 2. If the heater is still not working, obtain a new pilot assembly from the manufacturer. Call our Customer Care at 1.800.762.1142.
Burner won't stay lit	Connection between gas valve and burner assembly is loose	Tighten connection and perform leak check
	Thermocouple is not operating correctly	1. Clean the heater: Download and follow the correct cleaning instructions from BlueRhino.com. 2. If the heater is still not working, obtain a new pilot assembly from the manufacturer. Call our Customer Care at 1.800.762.1142.
	Blockage in burner	1. Turn off heater per "Turning Off" instructions. 2. Remove blockage and clean burner inside and outside: Download and follow the correct cleaning instructions from BlueRhino.com
Burner flame is low Note: Heater operates at reduced efficiency below 40°F (5°C).	LP gas tank is low or empty	Exchange, refill or replace LP gas tank
	Outdoor temperature is less than 40°F and tank is less than 1/4 full	1. Turn off heater per "Turning Off" instructions. 2. Connect a full LP Gas Tank per "Connecting LP Gas Tank" instructions.
	Supply hose is bent or kinked	1. Turn off heater per "Turning Off" instructions. 2. Straighten hose, if cracked obtain a new hose from the manufacturer
Emitter glows uneven Note: Bottom 1" of emitter normally does NOT glow.	LP gas tank is low or empty	Exchange, refill or replace LP gas tank
	Base is not on a level surface	Place heater on a level surface
	Blockage in burner	1. Turn off heater per "Turning Off" instructions. 2. When cool, remove blockage and clean burner inside and outside: Download and follow the correct cleaning instructions from BlueRhino.com
Thick black smoke	Blockage in burner	1. Turn off heater per "Turning Off" instructions. 2. When cool, remove blockage and clean burner inside and outside: Download and follow the correct cleaning instructions from BlueRhino.com

For more assistance, please visit us at BlueRhino.com or call 1.800.762.1142.



Need help? 1.800.762.1142
Do not return to place of purchase.

Replacement Parts
parts.BlueRhino.com /
1.800.762.1142





Chauffe-patio au propane

Modèle n° ES4000COMMM

 DANGER	<p>DANGER DE MONOXYDE DE CARBONE</p> <ul style="list-style-type: none"> • Cet appareil risque de produire du monoxyde de carbone inodore. • L'utilisation de cet appareil dans un espace clos présente un danger mortel. • Ne jamais utiliser cet appareil dans un espace clos tel qu'une tente-caravane, une tente, une voiture ou une maison.
	

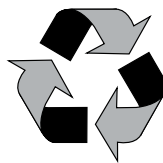
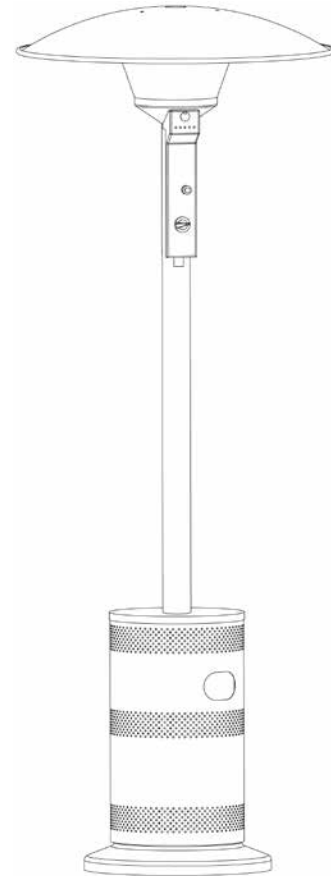
 AVERTISSEMENT POUR VOTRE SÉCURITÉ:
<p>Pour usage à l'extérieur seulement (hors de tout abri clos)</p>

 AVERTISSEMENT POUR VOTRE SÉCURITÉ:
<ol style="list-style-type: none"> 1. Toute installation défectueuse ou modification incorrecte ainsi que tout mauvais réglage ou entretien incorrect risque d'entraîner des blessures ou des dégâts matériels. 2. Lire complètement les instructions d'installation, d'utilisation et d'entretien avant d'utiliser ou de procéder à l'entretien de l'appareil. 3. Le non-respect de ces consignes risque de provoquer un incendie ou une explosion et d'entraîner des dégâts matériels, des blessures graves voire la mort. 4. Ce manuel d'utilisation contient des consignes de sécurité indispensables au montage et au bon fonctionnement de l'appareil. 5. Lire et suivre toutes les mises en garde et instructions avant d'assembler et d'utiliser l'appareil. 6. Suivre toutes les mises en garde et instructions lors de l'utilisation de l'appareil. 7. Conserver ce manuel afin de pouvoir s'y référer ultérieurement.

 DANGER
<p>S'il y a une odeur de gaz:</p> <ol style="list-style-type: none"> 1. Coupez l'admission de gaz de l'appareil. 2. Éteindre toute flamme nue. 3. Ouvrir le couvercle. 4. Si l'odeur persiste, éloignez-vous de l'appareil et appelez immédiatement le fournisseur de gaz ou le service d'incendie.

 AVERTISSEMENT POUR VOTRE SÉCURITÉ:
<ol style="list-style-type: none"> 1. Ne pas entreposer ni utiliser de l'essence ni d'autres vapeurs ou liquides inflammables dans le voisinage de l'appareil, ni de tout autre appareil. 2. Une bouteille de propane qui n'est pas raccordée en vue de son utilisation, ne doit pas être entreposée dans le voisinage de cet appareil ou de tout autre appareil.

 DANGER
<p>Ne jamais laisser cet appareil allumé sans surveillance.</p>



Fabriqué à partir de 75% de bagasse de canne à sucre (résidu de pulpe de canne à sucre sans danger pour l'environnement)



Table des matières	
Consignes de sécurité importantes	Page 2
Vue éclatée des pièces et quincaillerie	4
Instructions d'assemblage	5
Installer la bouteille de propane	7
Insérer la bouteille de propane	7
Fixer la bouteille de propane	7
Brancher la bouteille de propane	7
Débrancher la bouteille de propane	7
Fonctionnement	8
Détecer une fuite	8
Avant d'allumer le chauffe-patio	8
Allumer le chauffe-patio	8
Lorsque le chauffe-patio est allumé	8
Rallumer le chauffe-patio	8
Éteindre le chauffe-patio	8
Nettoyage et entretien	9
Enregistrement de l'appareil	9
Pièces de rechange	9
Garantie limitée	9
Caractéristiques techniques	10
Guide de dépannage	11
<p>L'utilisation et l'installation de cet appareil doivent être conformes aux codes locaux. En l'absence de codes locaux, suivez le <i>Code national du gaz combustible, les normes ANSI Z223.1/NFPA 54, le Code d'installation du gaz naturel et du propane, CAN/CGA-B149.1 ou le Code sur le stockage et la manipulation du propane, B149.2, ou la norme pour véhicules récréatifs ANSI A 119.2/NFPA 1192, la réglementation CSA Z240 pour séries VR, et le Code sur les véhicules récréatifs selon le cas.</i></p> <p>CE MANUEL D'UTILISATION CONTIENT DE L'INFORMATION IMPORTANTE CONCERNANT LA SÉCURITÉ. VEUILLEZ LIRE ET CONSERVER CE MANUEL AFIN DE POUVOIR LE CONSULTER ULTÉRIEUREMENT.</p> <p>Si vous êtes en train d'assembler cet appareil pour une autre personne, veuillez lui fournir le manuel afin qu'elle puisse le consulter plus tard.</p>	

Consignes de sécurité importantes

- ▲ **DANGER:** Le non-respect des avis de danger, des mises en garde et des consignes de sécurité de ce manuel risque de provoquer un incendie ou une explosion et d'entraîner des dégâts matériels, des blessures graves voire la mort.
- ▲ **AVERTISSEMENT :**
- ▲ Ce chauffe-patio doit être utilisé uniquement à l'extérieur et ne doit pas être utilisé dans un immeuble, un garage ou tout autre espace clos.
 - ▲ S'assurer que toute matière combustible se trouve toujours à une distance de sécurité minimum de 92 cm (36 po.) sur les côtés et derrière le chauffe-patio. NE PAS utiliser ce chauffe-patio sous un toit ou une structure quelconque suspendue, en saillie ou en surplomb au-dessus du chauffe-patio.
 - ▲ NE PAS utiliser ou allumer cet appareil à moins de 3,05 m (10 pieds) de tout mur, construction ou immeuble.
 - ▲ Ce chauffe-patio n'est pas sensé être utilisé en tant que chauffage d'appoint à l'intérieur. Des émanations TOXIQUES peuvent s'accumuler et provoquer l'asphyxie.
 - ▲ Ce chauffe-patio est homologué afin de pouvoir être utilisé en toute sécurité uniquement aux États-Unis et au Canada. NE PAS modifier ce chauffe-patio afin de pouvoir l'utiliser autre part. Toute modification ou altération présentera un danger de fonctionnement.
 - ▲ Ce chauffe-patio est expédié de l'usine prêt à fonctionner avec du propane (GPL). Toute utilisation de gaz naturel avec ce chauffe-patio ou tentative de conversion au gaz naturel de ce chauffe-patio est dangereuse et entraînera l'annulation de la garantie.
 - ▲ Caractéristiques du propane (GPL) :
 - a. Le propane est un gaz inflammable et dangereux si ce dernier n'est pas manipulé correctement. Il est indispensable de connaître les dangers encourus avant d'utiliser tout appareil fonctionnant au propane.
 - b. Le propane est un gaz inflammable qui risque d'exploser sous pression. Le propane qui risque d'exploser sous pression, est plus lourd que l'air, se dépose et demeure au sol.
 - c. Le propane à l'état naturel est inodore. Pour votre sécurité, un odorisant ayant l'odeur de choux avariés a été ajouté.
 - d. Tout contact du propane avec la peau risque d'entraîner des engelures.
 - ▲ Avis aux personnes habitant en appartements : Vérifier auprès de la gérance pour connaître les conditions requises, la réglementation et le code de prévention des incendies de votre complexe d'habitations collectives pour l'utilisation d'un chauffe-patio au propane. Si permis, utiliser le chauffe-patio en le posant au sol en laissant une distance de sécurité de 3,05 m (10 pieds) entre le chauffe-patio et toute structure. NE PAS utiliser sur ou sous un balcon.
 - ▲ Seules les bouteilles marquées « propane » peuvent être utilisées.
 - ▲ La bouteille de propane doit être fabriquée, marquée et mise en service conformément à la *Réglementation sur les bouteilles de gaz de pétrole liquéfié établie par le Ministère des transports des États-Unis (DOT) ou répondre à la Norme nationale du Canada, CAN/CSAB339 sur les bouteilles, sphères et tubes destinés au transport de produits dangereux et la commission.*
 - ▲ La bouteille de propane doit être placée afin de permettre l'extraction des vapeurs de gaz.
 - ▲ La bouteille de propane doit être équipée d'un système d'arrêt volumétrique (OPD) empêchant tout remplissage excessif.
 - ▲ Utiliser uniquement des bouteilles de propane équipées d'un dispositif de branchement compatible avec le raccord d'un appareil de cuisson de plein air.
 - ▲ La bouteille de propane doit posséder un col afin de protéger le robinet et la valve de la bouteille.
 - ▲ Ne jamais utiliser une bouteille de propane si le corps, le robinet, le col ou le socle sont endommagés.
 - ▲ Toute bouteille bosselée ou présentant des traces de rouille risque d'être dangereuse et devrait être vérifiée par votre fournisseur avant de l'utiliser.
 - ▲ NE PAS laisser tomber la bouteille de propane ni la manipuler brusquement ou brutalement!
 - ▲ Les bouteilles de propane doivent être entreposées à l'extérieur, hors de la portée des enfants et ne doivent pas être entreposées dans un bâtiment, un garage ou dans tout autre lieu fermé. Les bouteilles de gaz ne doivent jamais être entreposées dans un endroit où la température risque de dépasser 51,6°C (125°F)!
 - ▲ NE PAS introduire d'outil ni de corps étranger dans la sortie du robinet de la bouteille de gaz ni dans la soupape de sécurité. Vous risquez d'endommager la soupape et de provoquer une fuite. Toute fuite de propane risque de provoquer une explosion ou un incendie et d'entraîner des blessures graves voire la mort.
 - ▲ NE PAS bloquer ni boucher les trous sur les côtés ou à l'arrière du chauffe-patio.
 - ▲ Ne jamais garder une bouteille de propane pleine dans une voiture ou dans le coffre d'une voiture sous une forte chaleur. La chaleur peut provoquer une augmentation de la pression du gaz, pouvant provoquer l'ouverture de la soupape de sécurité et laissera s'échapper de gaz.
 - ▲ Mettre un bouchon antipoussière sur la sortie du robinet d'une bouteille qui n'est pas utilisée. Utiliser uniquement le type de bouchon antipoussière fourni avec le robinet de la bouteille. D'autres types de bouchons pourraient ne pas être étanches et permettre des fuites de propane.
 - ▲ Fermer le gaz et débrancher la bouteille lorsque le chauffe-patio n'est pas utilisé.
 - ▲ NE PAS entreposer une bouteille de propane de rechange sous ou à proximité de cet appareil.
 - ▲ Ne jamais remplir la bouteille de propane à plus de 80 % de sa capacité.
 - ▲ Les consignes ci-dessus doivent être strictement respectées car le non respect de ces consignes risque de provoquer un incendie et d'entraîner des dégâts matériels ou des blessures graves.
 - ▲ Ne jamais essayer de raccorder ce chauffe-patio au circuit de propane d'une tente-caravane, autocaravane ou de votre maison.
 - ▲ Ne jamais utiliser de charbon de bois, de liquide allume-barbecue, de pierres de lave, d'essence, de kérosène, de pétrole lampant ou d'alcool avec ce chauffe-patio.
 - ▲ Votre chauffe-patio a été vérifié en usine afin de s'assurer que les raccords ne présentent aucune fuite. Vérifier à nouveau tous les raccords en suivant les instructions du chapitre « Fonctionnement » du manuel car il est possible qu'ils se soient desserrés lors du transport.
 - ▲ Vérifier que l'appareil ne présente aucune fuite même si ce dernier a été assemblé par quelqu'un d'autre.
 - ▲ NE PAS utiliser le chauffe-patio en cas de fuite de gaz. Toute fuite de gaz risque de provoquer un incendie ou une explosion.
 - ▲ Il est obligatoire de suivre toutes les procédures de détection de fuite avant d'utiliser cet appareil. Afin d'éviter tout risque d'incendie et d'explosion lorsque l'on recherche une fuite :
 - a. Vérifier que le circuit ne présente pas de fuite en effectuant un « test d'étanchéité » avant d'allumer le chauffe-patio à chaque fois que la bouteille de gaz est branchée afin de l'utiliser.
 - b. Interdiction de fumer. NE PAS utiliser ni laisser de sources d'ignition à proximité du chauffe-patio lorsque l'on recherche une fuite.
 - c. Effectuer le test d'étanchéité en plein air, dans un emplacement bien aéré.
 - d. NE PAS utiliser d'allumettes, de briquets ou de flamme nue afin de rechercher une fuite.
 - e. La prise d'alcool, de médicaments ou de drogues risque de nuire à l'aptitude de l'utilisateur à assembler ou à utiliser cet appareil en toute sécurité.
 - f. La présence de fortes odeurs, ou si vous avez un rhume ou des sinus bouchés, risque de nuire à la détection d'une fuite de propane. Faites preuve de précaution et de bon sens lorsque vous effectuez un test d'étanchéité et recherchez une fuite.
 - g. NE PAS utiliser le chauffe-patio avant d'avoir réparé toute les fuites. S'il s'avère impossible d'arrêter une fuite, débrancher la bouteille de propane. Contacter un réparateur ou votre fournisseur de bouteilles de propane.

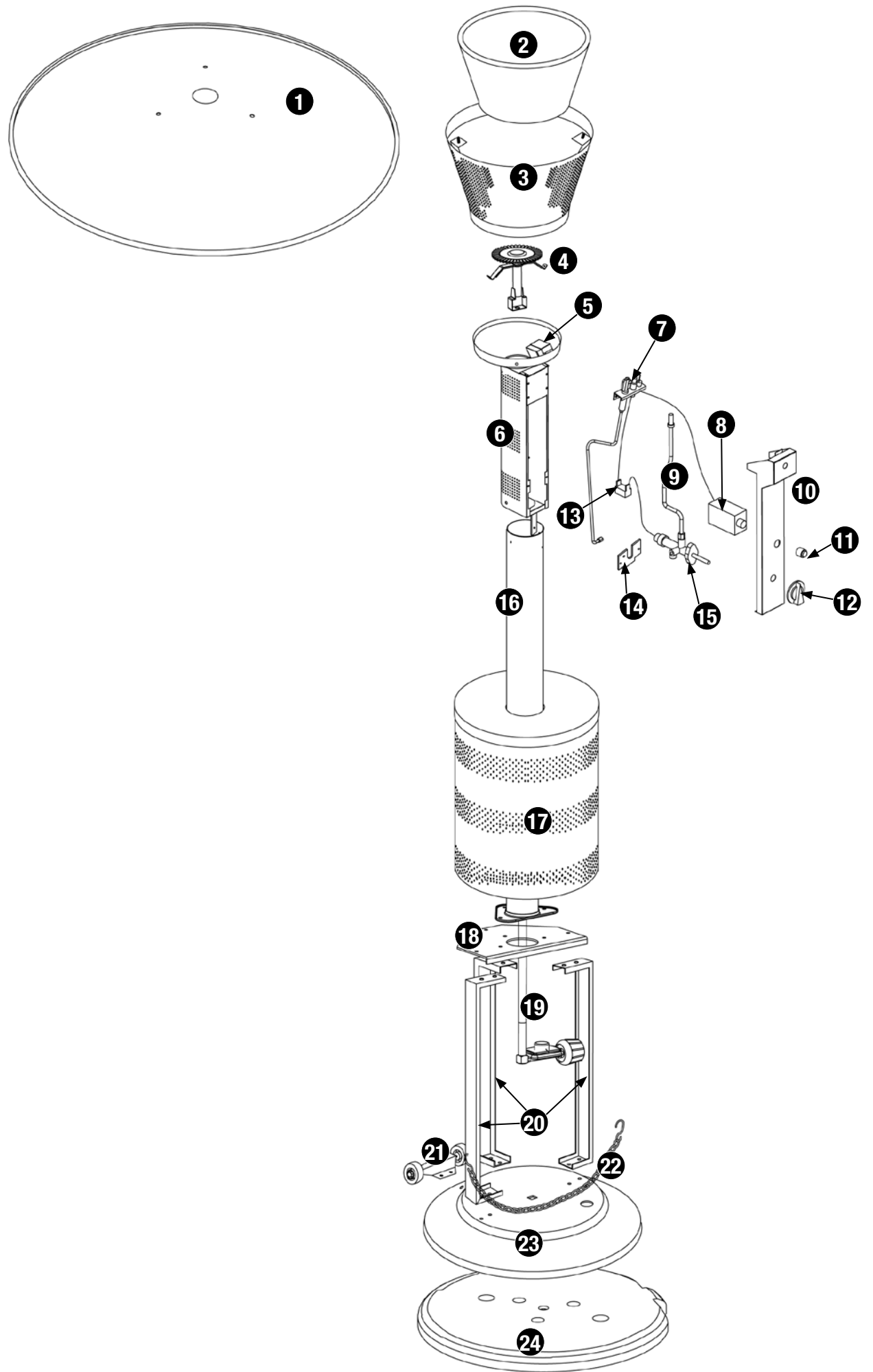


- ▲ Ce chauffe-patio a été mis au point pour pouvoir fonctionner avec la pression d'alimentation suivante : 11 po. (28 cm) de colonne d'eau.
- ▲ NE PAS utiliser ni entreposer d'essence ou de liquides aux vapeurs inflammables à moins de 7,6 m (25 pieds) de cet appareil.
- ▲ NE PAS utiliser le chauffe-patio en présence de vapeurs et émanations explosives. Veiller à ce que la zone autour du chauffe-patio demeure dégagée et dépourvue de matières combustibles, d'essence et d'autres liquides aux vapeurs inflammables.
- ▲ Il est primordial que le compartiment de la valve de commande du chauffe-patio, les brûleurs et les passages par où l'air circule demeurent propres.
- ▲ Vérifier le chauffe-patio avant chaque utilisation.
- ▲ Ne modifier en aucune façon le chauffe-patio. Toute modification ou altération entraînera l'annulation de la garantie.
- ▲ NE PAS utiliser le chauffe-patio à moins qu'il ne soit COMPLÈTEMENT assemblé et que les pièces ne soient toutes fixées et serrées.
- ▲ NE PAS placer ce type de chauffe-patio dans un espace où le chauffe-patio sera encastré. Le non-respect de cette mise en garde risque de provoquer une explosion ou un incendie et d'entraîner des dégâts matériels, des blessures graves voire la mort.
- ▲ Ce chauffe-patio doit être vérifié et nettoyé en entier régulièrement.
- ▲ Nettoyer et inspecter le tuyau à chaque fois, avant d'utiliser l'appareil.
- ▲ En cas d'abrasion, d'usure, de coupures ou de fuite, le tuyau doit être remplacé avant que cet appareil ne soit mis en fonctionnement.
- ▲ Utiliser uniquement le régulateur et le tuyau fournis. Le régulateur et le tuyau de rechange doivent être ceux spécifiés par Blue Rhino Global Sourcing, Inc.
- ▲ Utiliser uniquement des pièces agréées de l'usine Blue Rhino Global Sourcing, Inc. L'emploi de toute pièce non agréée peut être dangereuse et entraînera l'annulation de la garantie.
- ▲ NE PAS utiliser cet appareil avant de lire le chapitre « Fonctionnement » de ce manuel.
- ▲ Le dôme et le brûleur sont extrêmement chauds lorsque le chauffe-patio est allumé. Ne jamais toucher le dôme ni le brûleur lorsque le chauffe-patio est allumé. La surface de l'émetteur de chaleur peut atteindre 870°C (1600°F).
- ▲ NE PAS toucher les pièces métalliques du chauffe-patio avant qu'il n'ait complètement refroidi afin de ne pas se brûler à moins de porter des vêtements de protection (gants, mitaines, attirail de barbecue, etc.).
- ▲ NE PAS installer ni utiliser cet appareil à bord d'un bateau ou d'un véhicule récréatif.
- ▲ Toujours avoir à portée de main des articles ou matières capables d'éteindre un feu lorsque le chauffe-patio est allumé.
- ▲ NE PAS utiliser le chauffe-patio si la vitesse du vent dépasse 16 km/h.
- ▲ NE JAMAIS laisser un chauffe-patio allumé sans surveillance surtout si des enfants ou des animaux domestiques et de compagnie se trouvent à proximité.
- ▲ NE JAMAIS laisser quoi que ce soit sur le chauffe-patio lorsque ce dernier est allumé.
- ▲ Conserver les extincteurs automatiques à eau et autres sources d'eau à l'écart des brûleurs et des commandes.
- ▲ Ne pas accrocher de vêtements ou d'autres matières inflammables sur le chauffe-patio ou à proximité de ce dernier.
- ▲ Ne jamais couvrir le carénage du chauffe-patio lorsque la bouteille de propane est à l'intérieur.
- ▲ NE PAS essayer de déplacer le chauffe-patio quand il est allumé. Laisser le chauffe-patio refroidir avant de le déplacer ou de le remiser.
- ▲ La bouteille de propane doit être débranchée et retirée avant de déplacer le chauffe-patio.
- ▲ Le remisage du chauffe-patio à l'intérieur est autorisé seulement si la bouteille a été débranchée et retirée de l'appareil et correctement entreposée à l'extérieur.
- ▲ NE PAS tenter de débrancher le régulateur de gaz de la bouteille ni de débrancher une pièce quelconque de l'alimentation du gaz lorsque le chauffe-patio est allumé.
- ▲ Placer toujours le chauffe-patio sur une surface plane et dure. Il est déconseillé de le placer sur de l'asphalte ou du bitume.
- ▲ Placer les tuyaux souples de gaz le plus loin possible des surfaces chaudes et de l'égouttage des graisses brûlantes.
- ▲ Veiller à ce que les câbles et cordons électriques demeurent toujours loin du chauffe-patio lorsqu'il est chaud.
- ▲ Après une période de remisage ou si le chauffe-patio n'a pas été utilisé pour une certaine période, s'assurer qu'il n'y a pas de fuite et que les brûleurs ne sont pas bouchés. Vérifier également que le tuyau ne présente pas de traces d'abrasion, d'usure ou de coupures.
- ▲ Si à un moment quelconque il s'avère impossible d'allumer le brûleur et si une odeur de gaz se fait sentir, attendre 5 minutes afin que le gaz se dissipe avant de tenter de rallumer le chauffe-patio.
- ▲ Le fait de ne pas attendre 5 minutes afin que le gaz se dissipe si le chauffe-patio ne s'allume pas, risque de provoquer un retour de flammes explosif.
- ▲ Faire preuve de précaution avant de tenter d'allumer manuellement ce chauffe-patio. Le fait de maintenir le bouton pressé pendant plus de 10 secondes avant d'allumer le gaz provoquera une boule de feu lors de l'allumage.
- ▲ Éviter de respirer les vapeurs et émanations de l'appareil lorsque le chauffe-patio est allumé pour la première fois. La fumée et l'odeur résultant de la combustion de l'huile ayant été utilisée lors de la fabrication de l'appareil se dissiperont après environ 30 minutes. Le chauffe-patio NE devrait PAS produire de fumée noire.
- ▲ Porter des gants de protection pour assembler cet article.
- ▲ NE PAS forcer les pièces les unes dans les autres afin d'éviter toute blessure et éviter d'endommager cet article.
- ▲ Les consignes ci-dessus doivent être strictement respectées et le non-respect de ces consignes risque de provoquer des dégâts matériels ou d'entraîner des blessures graves voire la mort.

Liste des pièces

1	Dôme	56-01-309
2	Cône isolant*	56-01-114
3	Grille de l'émetteur de chaleur*	56-01-113
4	Brûleur*	56-01-122
5	Écran thermique de la veilleuse*	56-01-153
6	Logement de la valve*	56-01-099
7	Veilleuse*	56-01-127
8	Allumeur électronique*	56-01-142
9	Tube d'alimentation du brûleur avec orifice*	56-01-276
10	Panneau d'accès*	56-01-140
11	Bouton de l'allumeur*	56-01-708
12	Bouton de commande*	56-01-156
13	Interrupteur d'inclinaison*	56-01-019
14	Support de la valve*	56-01-148
15	Valve*	56-01-144
16	Mât	56-02-001
17	Protecteur de la bouteille	56-02-002
18	Plaque de support	56-01-165
19	Régulateur et tuyau	56-02-003
20	Pied (3)	56-01-193
21	Roulette	56-01-266
22	Chaîne de retenue	56-01-186
23	Socle	56-01-196
24	Plaque de lestage	56-01-384

*Pré-monté

Vue éclatée

Quincaillerie

A	Vis	Nickelée, à tête Phillips, 1/4 po. - 20 x 15	4 pcs
B	Boulon	Galvanisé, à tête hexagonale, 1/4 po. - 20 x 20	12 pcs
C	Boulon	Galvanisé, à tête hexagonale, M8 x 15	2 pcs
D	Boulon	Galvanisé, à tête hexagonale, 3/8 po. - 16 x 95	1 pc
E	Écrou	Galvanisé, 1/4 po. - 20	12 pcs
F	Écrou	Galvanisé, M8	2 pcs
G	Écrou	Galvanisé, 3/8 po. - 16	1 pc
H	Écrou	Borgne, en acier inoxydable, M8	3 pcs
I	Rondelle	Galvanisée, Ø6	12 pcs
J	Rondelle	Galvanisée, Ø8	2 pcs
K	Rondelle	Galvanisée, Ø10	1 pc
L	Pile AA		1 pc

Outils requis pour l'assemblage (non fournis)

Clé de 7/16 po.	1 pc
Clé de 1/2 po.	1 pc
Clé de 9/16 po.	1 pc
Clé à douille et douille 7/16 po. (11 mm)	1 pc
Tournevis cruciforme Phillips n° 2	1 pc



Instructions d'assemblage

1 NE PAS RETOURNER AU MAGASIN AVEC CET ARTICLE.

Pour toute assistance technique, appelez le numéro sans frais **1.800.762.1142**. Faites en sorte que votre manuel d'utilisation et le modèle numéro soient à portée de main afin de pouvoir vous y référer.

Remarque : Le numéro du modèle se trouve sur l'étiquette au dos du logement de la valve.

Pour faciliter l'assemblage:

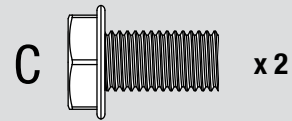
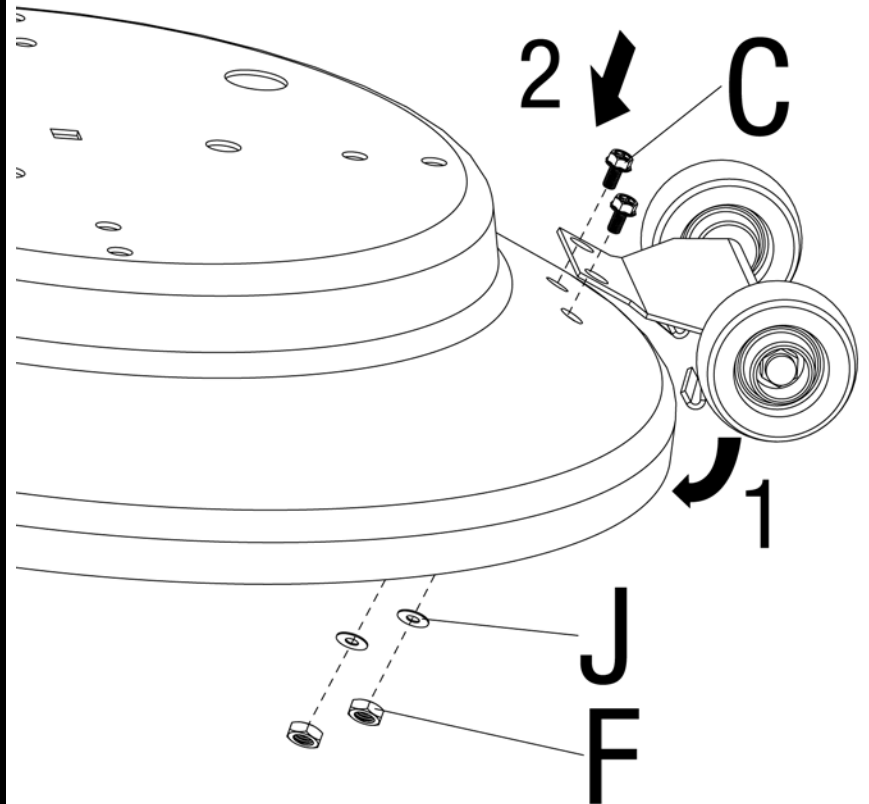
1. Pour éviter de perdre des petites pièces ou la quincaillerie d'installation, assemblez cet article sur une surface plane qui ne comporte pas de trous ni de fissures.
2. Étalez toutes les pièces et la quincaillerie d'installation.
3. Serrez à la main toute les fixations et la visserie en premier. Une fois l'étape terminée, serrez-les complètement en veillant à ne pas trop les serrer afin d'éviter d'endommager la surface de l'appareil et de fausser le filetage.
4. Suivez toutes les étapes dans l'ordre afin d'assembler correctement cet article.

Pour effectuer l'assemblage, vous aurez besoin des choses suivantes:

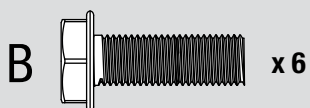
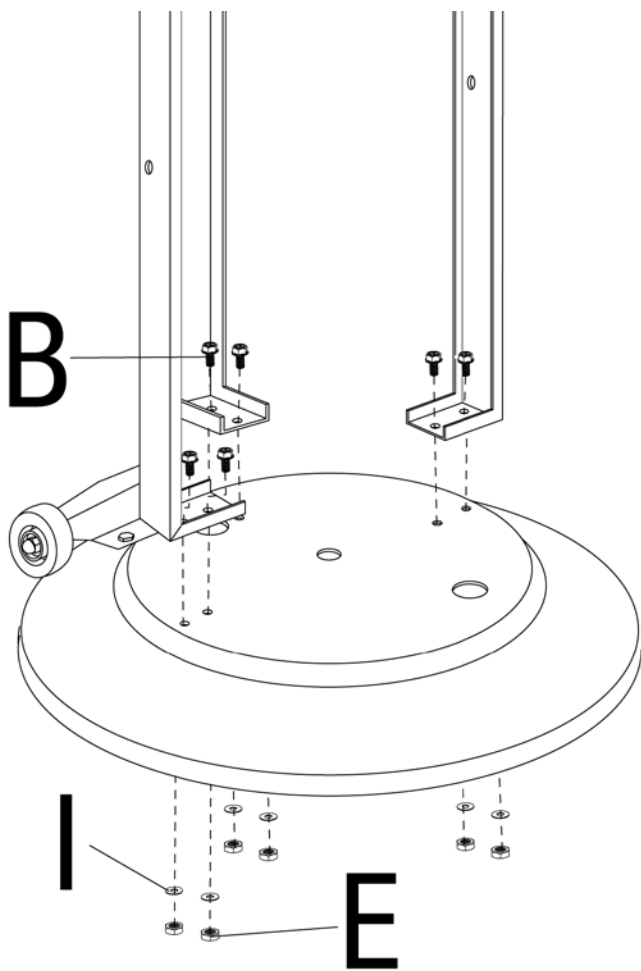
- une (1) solution de détection de fuites (voir instructions sur la préparation de la solution au chapitre « Fonctionnement »).
- une (1) bouteille de propane liquide pour barbecue remplie avec précision avec raccord de robinet à filetage externe Acme de type 1 (barbecue taille standard).

Temps d'assemblage: environ une (1) heure.

2 Fixer les roulettes

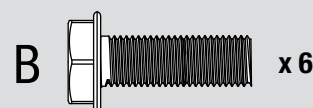
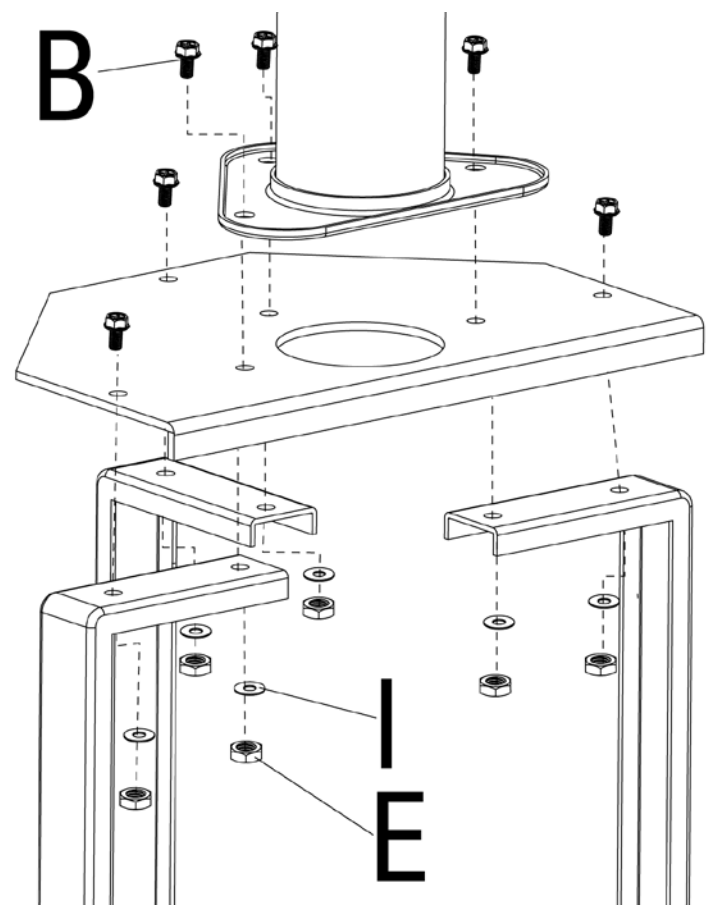


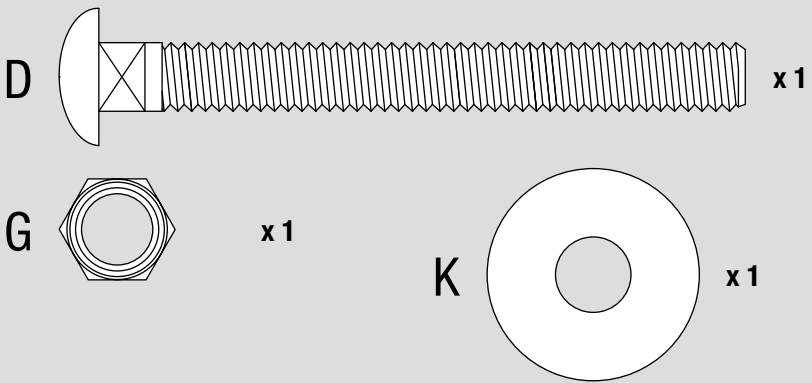
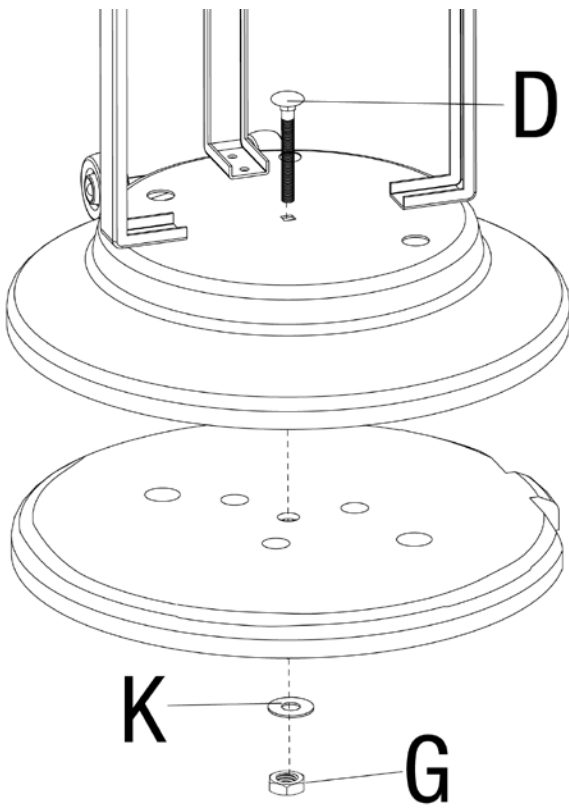
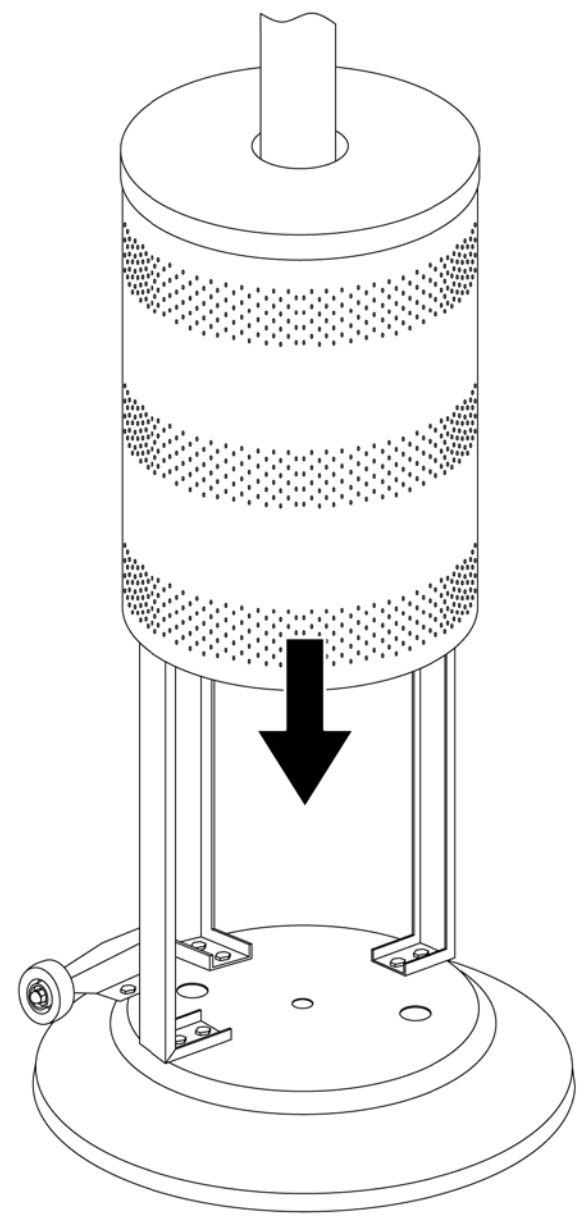
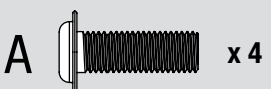
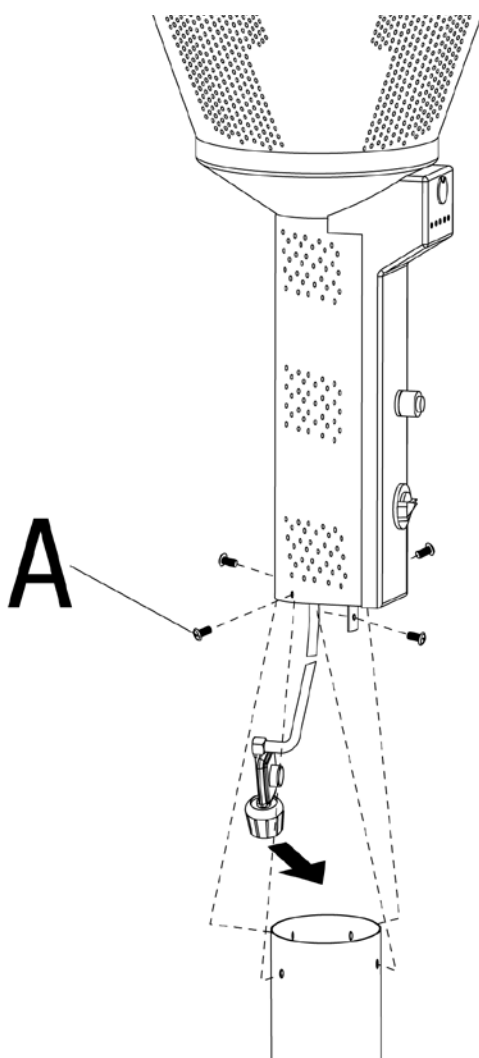
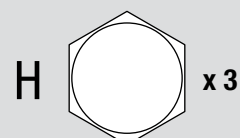
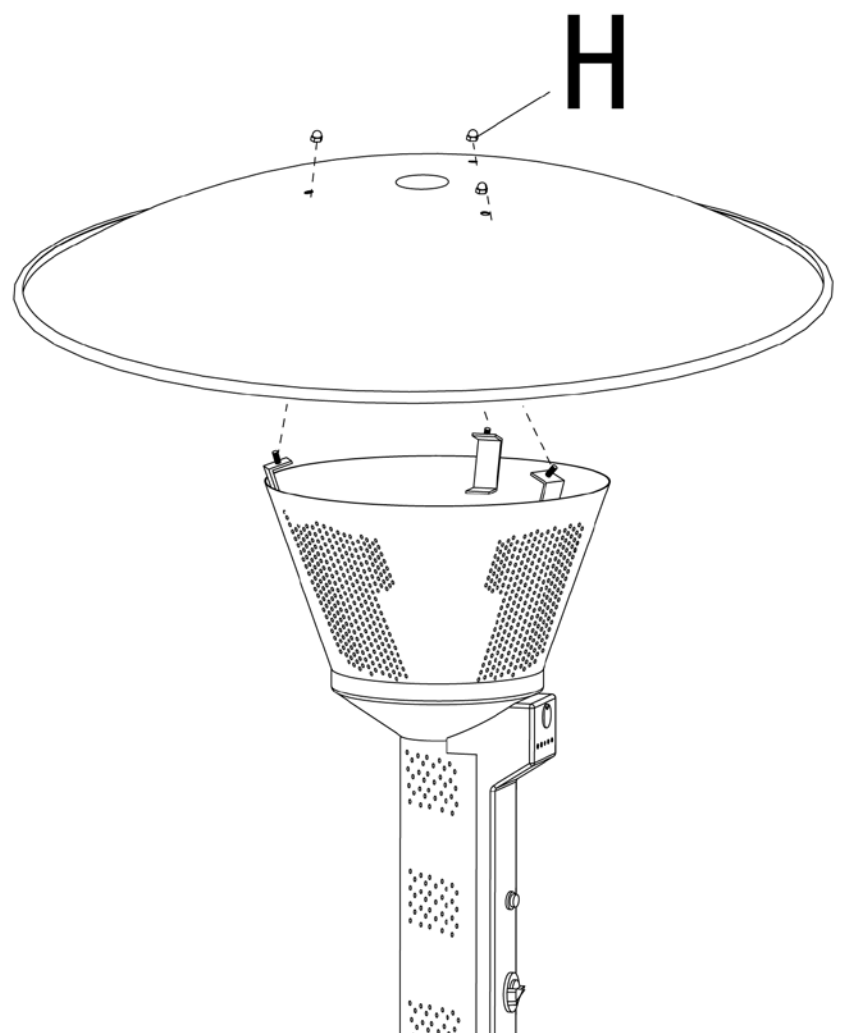
3 Fixer les pieds



4 Fixer la plaque de support

CONSEIL: Utilisez une clé de 7/16 po. (11 mm) pour serrer le boulon et une clé à douille de 7/16 po. (11 mm) pour serrer l'écrou.

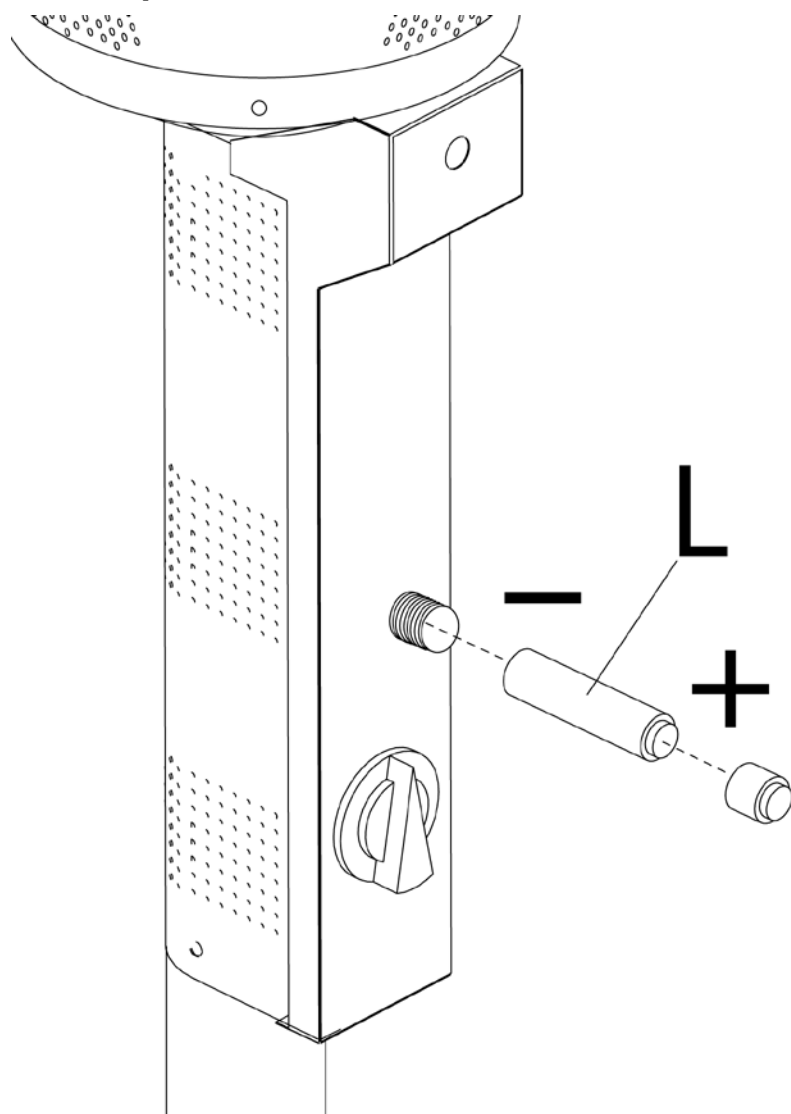


Instructions d'assemblage (suite)
5
Fixer la plaque de lestage

6
Fixer le protecteur de la bouteille

7
Fixer le régulateur et son tuyau ainsi que le logement de la valve

8
Fixer l'ensemble du dôme




9

Insérer la pile

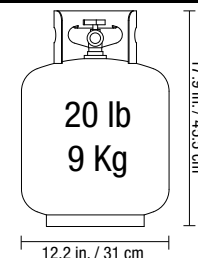


L x 1

Installer la bouteille de propane

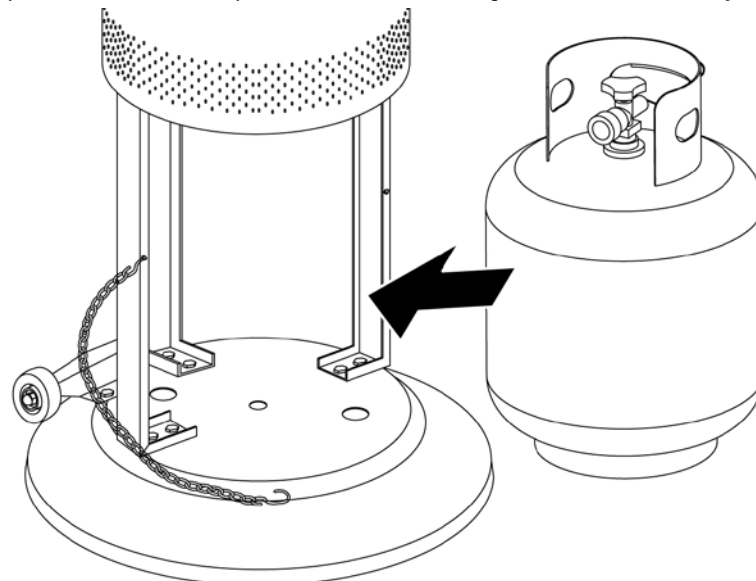
Il est nécessaire de brancher une bouteille de propane standard de 20 lb (9 kg) pour barbecue avec robinet à filetage externe.

⚠ ATTENTION : La bouteille de propane doit être correctement débranchée et retirée avant de déplacer ce chauffe-patio.



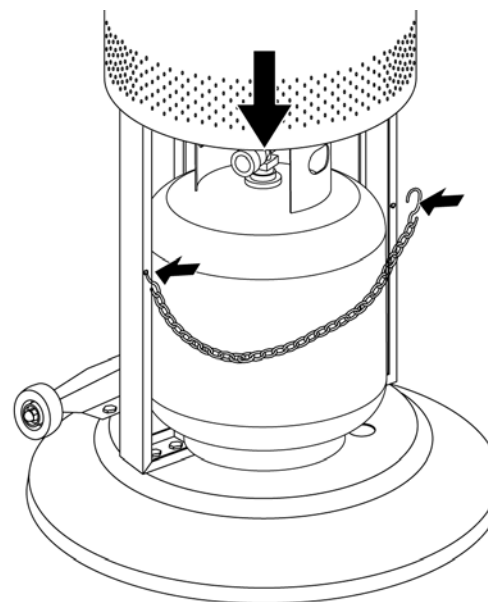
Insérer la bouteille de propane

Placez une bouteille de propane pleine ayant été remplie avec précision, debout sur le socle du chauffe-patio de manière à ce que l'entrée du robinet de gaz se trouve face au tuyau de gaz.



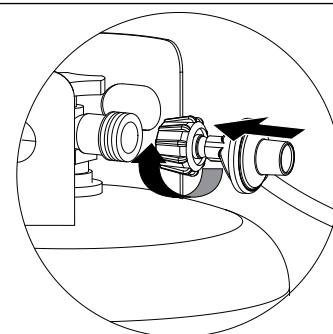
Fixer la bouteille de propane

Fixez la bouteille en accrochant l'extrémité de la chaîne de retenue sur l'orifice du pied droit.



Brancher la bouteille de propane

1. Avant de procéder au branchement, assurez-vous de l'absence de débris dans la tête de la bouteille de propane, autour de la tête du régulateur ainsi que dans la tête du brûleur et dans les orifices du brûleur.
2. Branchez le régulateur et son tuyau sur la bouteille en tournant dans le sens des aiguilles d'une montre jusqu'au blocage.

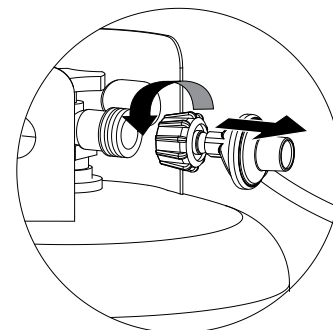


Débrancher la bouteille de propane

1. Avant de débrancher la bouteille de propane, assurez-vous que le robinet de la bouteille se trouve sur « CLOSED » (fermé).
2. Débranchez le régulateur et son tuyau de la bouteille de propane en tournant le bouton dans le sens inverse à celui des aiguilles d'une montre jusqu'à ce qu'il soit desserré.

⚠ ATTENTION : La bouteille de propane doit être correctement débranchée et retirée avant de déplacer ce chauffe-patio.

3. Mettre un bouchon antipoussière sur la sortie du robinet de la bouteille et l'entreposer à l'extérieur dans un endroit bien aéré et loin des rayons directs du soleil.



Pour obtenir une autre bouteille de propane



Vous avez besoin d'une bouteille de gaz? Essayez notre service d'échange de bouteilles de propane. C'est un service facile, rapide, sans danger et présent dans des dizaines de milliers de points de vente partout dans le pays. Ces points de vente sont le plus souvent ouverts toute la nuit ainsi que les fins de semaine. Achetez une bouteille neuve remplie avec précision ou échangez votre bouteille vide contre une bouteille déjà remplie avec précision. Il vous est également possible de faire remplir votre bouteille auprès d'une station de remplissage. Vérifiez les heures d'ouverture de la station de remplissage.

Fonctionnement

Détecter une fuite

Raccordement de la bouteille et du tuyau de gaz


1. Préparez une solution d'environ 80 ml destinée à détecter les fuites en mélangeant un volume de liquide à vaisselle et 3 volumes d'eau.
2. Assurez-vous que les boutons de commande du barbecue sont tous sur «  ARRÊT ». Reportez-vous à l'illustration 3.
3. Branchez la bouteille de propane en suivant les instructions « Installer la bouteille de propane ».
4. Ouvrez le gaz en réglant le robinet de la bouteille de propane sur « OPEN » (ouvert).
5. Versez quelques gouttes de la solution de détection de fuites sur tous les points de raccordement indiqués par un « X » (illustrations 1 et 2).
 - a. Si des bulles apparaissent, fermez le gaz en réglant le robinet de la bouteille de propane sur « CLOSED » (fermé), desserrez le raccord puis rebranchez en vous assurant qu'il est étanche en effectuant un autre test d'étanchéité.
 - b. Si des bulles persistent après plusieurs tentatives, fermez le gaz en réglant le robinet de la bouteille de propane sur « CLOSED » (fermé), débranchez la bouteille en suivant les instructions « Débrancher la bouteille de propane » et appelez le 1.800.762.1142.
 - c. S'il n'y a toujours pas de bulles après une minute, fermez le gaz en réglant le robinet de la bouteille de propane sur « CLOSED » (fermé), essuyez la solution et continuez.

Illustration 1

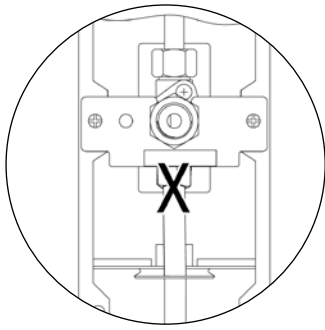


Illustration 2

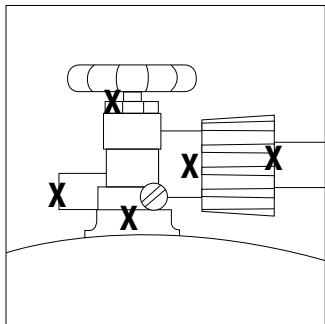


Illustration 3

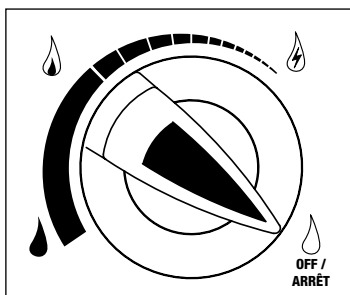


Illustration 4

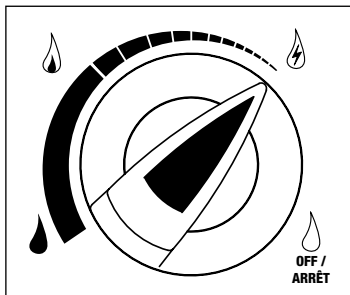


Illustration 5

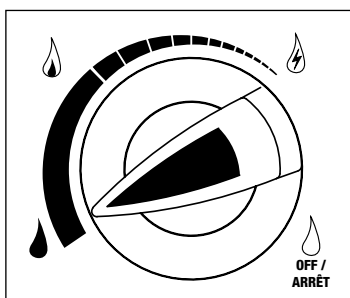


Illustration 6

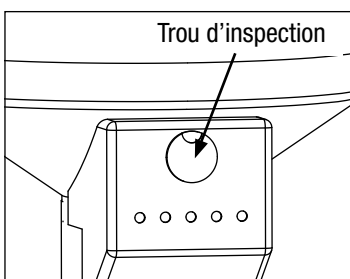
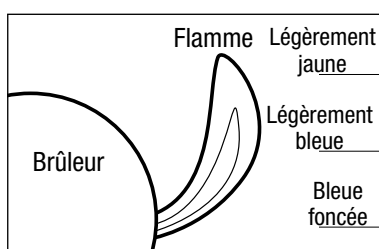
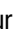


Illustration 7



Avant d'allumer le chauffe-patio

Utiliser le chauffe-patio pour la première fois


1. Assurez-vous d'avoir retiré toutes les étiquettes ainsi que tous les matériaux d'emballage et films protecteurs du chauffe-patio.
2. Lorsque vous utilisez le chauffe-patio pour la première fois, faites fonctionner le barbecue pendant au moins 15 minutes avec le bouton de commande réglé sur  (max.). La chaleur « nettoiera » les pièces internes et dissipera les odeurs.




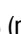
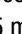

Avant chaque utilisation

1. Inspectez complètement le chauffe-patio avant chaque utilisation et faites en sorte qu'un réparateur agréé inspecte l'appareil au moins une fois par an.
2. Si vous devez rallumer un chauffe-patio déjà chaud, attendez au moins 5 minutes afin que le gaz se dissipe.
3. Vérifiez le tuyau afin de vous assurer qu'il n'est pas fendu et qu'il ne présente pas d'abrasions, de fissures ou d'usure excessive.
 - a. Testez les parties douteuses afin de vous assurer qu'elles ne présentent pas de fuite.
 - b. Si le tuyau fuit, remplacez-le avant d'utiliser l'appareil.
 - c. Utilisez uniquement un tuyau de rechange homologué par le fabricant.


Allumer le chauffe-patio


Ce chauffe-patio est équipé d'une veilleuse qui offre une sécurité accrue pour la mise en marche et l'arrêt de l'appareil. La veilleuse doit être allumée avant de pouvoir mettre en marche le brûleur principal.

1. Assurez-vous qu'il n'existe aucune obstruction et que rien ne gêne le débit d'air vers les brûleurs. Des araignées et autres insectes peuvent y élire domicile et boucher le brûleur et le tube venturi. Si la tubulure du brûleur est bouchée, ceci risque de provoquer un incendie.
2. Le bouton de commande doit être réglé sur «  ARRÊT » (voir illustration 3).
3. Branchez la bouteille de propane en suivant les instructions « Installer la bouteille de propane ».

4. Ouvrez le gaz en tournant le robinet de la bouteille de propane sur « OPEN » (ouvert).
5. Ouvrez le trou d'inspection en glissant le cache vers un côté ou de l'autre (voir illustration 6).
6. Pressez le bouton de commande et tournez-le jusqu'à la position  (veilleuse).
Remarque: pour allumer l'appareil la première fois ou après avoir changé de bouteille, maintenez le bouton de commande pressé pendant 2 minutes afin de purger l'air des conduites de gaz avant de commencer, puis attendez 5 minutes avant d'allumer le chauffe-patio.
7. Pressez immédiatement le bouton  (allumeur) pendant cinq (5) secondes. La flamme de la veilleuse apparaîtra et sera visible dans le trou d'inspection (voir illustration 6).
8. Relâchez le bouton de commande après 30 secondes. La veilleuse demeurera allumée.
9. Si l'allumage ne se produit pas, tournez le bouton de commande sur «  ARRÊT », attendez 5 minutes et reprenez la procédure d'allumage depuis le début.
10. Réglez le bouton de commande sur  (max) (voir illustration 5). Le brûleur principal s'allumera immédiatement. La flamme sera visible dans le trou d'inspection. Dans le cas contraire, tournez le bouton de commande sur «  ARRÊT », attendez 5 minutes et reprenez la procédure d'allumage depuis le début.
11. Si pour une raison quelconque l'allumeur ne produit pas d'étincelle, votre chauffe-patio peut être allumé en insérant une allumette allumée dans le trou d'inspection tout en maintenant le bouton de commande appuyé pendant qu'il se trouve sur la position  (veilleuse).

▲ AVERTISSEMENT: Faire preuve de précaution avant de tenter d'allumer manuellement ce chauffe-patio. Le fait de maintenir le bouton pressé pendant plus de 10 secondes avant d'allumer le gaz provoquera une boule de feu lors de l'allumage.

▲ ATTENTION : Si la flamme du brûleur s'éteint lors du fonctionnement du chauffe-patio, tourner immédiatement le bouton de commande sur «  ARRÊT », le robinet de la bouteille de propane sur « CLOSED » (fermé) et attendre 5 minutes afin que le gaz se dissipe avant de tenter à nouveau d'allumer le chauffe-patio.


CONSEIL : Le brûleur risque d'être bruyant lorsque vous l'allumez pour la première fois. Pour éviter tout bruit excessif du brûleur, réglez le bouton de commande sur la position  (veilleuse), puis réglez le bouton sur le niveau de chaleur désiré.

Lorsque le chauffe-patio est allumé (ON)


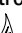

▲ AVERTISSEMENT : Le dôme et le brûleur sont extrêmement chauds lorsque le chauffe-patio est allumé. Ne jamais toucher le dôme ni le brûleur lorsque le chauffe-patio est allumé. La surface de l'émetteur de chaleur peut atteindre 870°C (1600°F).


▲ AVERTISSEMENT : NE PAS toucher les pièces métalliques du chauffe-patio avant qu'il n'ait complètement refroidi afin de ne pas se brûler à moins de porter des vêtements de protection (gants, mitaines, attirail de barbecue, etc.).

- La grille de l'émetteur deviendra rouge vif en raison de l'intensité de la chaleur. La couleur est plus visible la nuit.
- Des flammes bleues et jaunes apparaîtront à la sortie du brûleur. Ces flammes ne devraient pas être jaunes ni produire de fumée noire. En présence de fumée noire épaisse, le flux d'air à l'intérieur de la tubulure des brûleurs est bloqué. La flamme devrait être bleue avec des crêtes jaunes (voir illustration 7).
- Si les flammes sont excessivement jaunes, éteignez le chauffe-patio et consultez le site internetBlueRhino.com ou appelez le 1.800.762.1142.

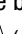
▲ ATTENTION : Si la flamme du brûleur s'éteint lors du fonctionnement du chauffe-patio, tourner immédiatement le bouton de commande sur «  ARRÊT », le robinet de la bouteille de propane sur « CLOSED » (fermé) et attendre 5 minutes afin que le gaz se dissipe avant de tenter à nouveau d'allumer le chauffe-patio.

Rallumer le chauffe-patio

Remarque: Pour votre sécurité, le bouton de commande ne peut être placé sur «  ARRÊT » sans presser tout d'abord le bouton de commande sur la position  (veilleuse) et ensuite le tourner sur «  ARRÊT ».

1. Réglez le bouton de commande sur «  ARRÊT ».
2. Attendez au moins 5 minutes afin que le gaz se dissipe.
3. Reprenez les étapes du chapitre « Allumer le chauffe-patio ».

Éteindre le chauffe-patio

1. Tournez le bouton de commande dans le sens des aiguilles d'une montre jusqu'à la position  (veilleuse). Le brûleur s'éteindra mais la veilleuse demeurera allumée.
2. Fermez le gaz en tournant le robinet de la bouteille de propane sur « CLOSED » (fermé).
Remarque: le brûleur émettra un léger bruit de claquement lors de son extinction, ceci est normal.
3. Débranchez la bouteille en suivant les instructions intitulées « Débrancher la bouteille de propane ».

Remarque: Après utilisation, la grille de l'émetteur risque de légèrement se décolorer, ceci est normal.



Nettoyage et entretien

⚠ ATTENTION :

1. **Tout nettoyage ou entretien doit être effectué lorsque le chauffe-patio est froid et après avoir fermé et débranché le tuyau l'alimentation en gaz.**
2. **NE placer aucune pièce du chauffe-patio dans un four autonettoyant. La chaleur extrême endommagera le fini du chauffe-patio.**
3. **NE PAS élargir les orifices de la valve et du brûleur lors de leur nettoyage.**

Avis

1. **N'utilisez pas de produits de nettoyage abrasifs car ils risquent d'endommager cet appareil.**
2. **N'utilisez jamais de produit à nettoyer les fours sur une pièce quelle qu'elle soit du chauffe-patio.**
3. **N'utilisez jamais de produit à nettoyer les fours sur une pièce quelle qu'elle soit du chauffe-patio.**
4. **Il pourra s'avérer nécessaire de nettoyer l'appareil plus fréquemment. Il est primordial que les commandes, le brûleur et les orifices permettant la circulation de l'air demeurent propres.**
5. **Faites inspecter le chauffe-patio une fois par an et veillez à ce que toute réparation soit effectuée par un réparateur qualifié.**
6. **Vérifiez le chauffe-patio avant chaque utilisation.**
7. **Les araignées et les insectes risquent de provoquer des conditions dangereuses et de nuire au bon fonctionnement de l'appareil. Veillez à ce que la zone du brûleur demeure propre et sans toiles d'araignées ou insectes. Nettoyez les orifices du brûleur en utilisant un déboureur-pipe. Il est possible d'utiliser de l'air comprimé afin de déloger les petites particules.**
8. **Vérifiez immédiatement le chauffe-patio dans les cas suivants :**
 - a. **Vous sentez une odeur de gaz et les crêtes des flammes sont extrêmement jaunes.**
 - b. **Le chauffe-patio n'atteint pas la température adéquate.**
Remarque: l'appareil fonctionnera à un rendement moindre à une température inférieure à 40°F (5°C).
 - c. **La lueur du chauffe-patio n'est pas du tout uniforme.**
 - d. **Le brûleur fait des bruits de claquement lorsqu'il fonctionne.**
Remarque : il est normal que le brûleur émette un léger bruit de claquement lors de son extinction.
9. **Des résidus de carbone risquent de provoquer un incendie. Veillez à ce que le dôme et l'émetteur demeurent toujours propres.**
10. **NE nettoyez PAS le chauffe-patio avec un nettoyant combustible ou corrosif. Utilisez de l'eau tiède savonneuse.**
11. **NE peignez PAS le moteur, le panneau d'accès du moteur ni le dôme.**
12. **Après une période de remisage ou si le chauffe-patio n'a pas été utilisé pour une certaine période, assurez-vous qu'il n'y a pas de fuite et que les brûleurs ne sont pas bouchés. Vérifiez également que le tuyau ne présente pas de traces d'abrasion, d'usure ou de coupures.**
13. **Vérifiez régulièrement qu'il n'y rien (toiles d'araignées, nids d'oiseaux, etc.) sous le dôme ou le brûleur qui risquerait de nuire au fonctionnement du chauffe-patio.**

Avant chaque utilisation

1. Assurez-vous que la zone autour du chauffe-patio demeure dégagée et dépourvue de matières combustibles, d'essence et d'autres liquides et vapeurs inflammables.
2. NE bloquez PAS le débit d'air de combustion du propane ni de ventilation.
3. Assurez-vous que la (les) ouverture(s) de ventilation autour de la bouteille de propane demeurent toujours propres et dépourvues de débris.
4. Vérifiez les flammes du brûleur afin de vous assurer que le chauffe-patio fonctionne correctement.
5. Reportez-vous aux paragraphes ci-dessous pour les instructions de nettoyage.
6. Vérifiez que rien ne gêne le débit d'air vers les brûleurs et assurez-vous qu'ils ne sont pas bouchés par des insectes et leurs nids. Si la tubulure du brûleur est bouchée, ceci risque de provoquer un incendie.

Nettoyage des surfaces du chauffe-patio

1. Essuyez les surfaces du chauffe-patio avec un liquide à vaisselle doux ou du bicarbonate de soude.
2. Pour les tâches coriaces, utilisez un dégraissant au citron et une brosse de nettoyage en nylon.
3. Rincez à l'eau.
4. Laissez le barbecue sécher à l'air libre.

Remarque: Lorsque vous nettoyez l'appareil, assurez-vous que la zone autour du brûleur et de la veilleuse demeure toujours sèche. NE PAS plonger la commande de gaz dans de l'eau. Si la commande de gaz est plongée dans de l'eau, NE PAS l'utiliser. Elle devra être remplacée.

Entretien

Afin que votre chauffe-patio puisse fonctionner à plein rendement pendant de longues années, procédez régulièrement à l'entretien de l'appareil :

3. Rien ne doit gêner le flux d'air. Veillez à ce que les commandes, le brûleur, et les ouvertures permettant la circulation de l'air demeurent propres. Les indices permettant de déterminer qu'une de ces pièces est bouchée sont les suivants :
 - Il existe une odeur de gaz et la crête de la flamme est extrêmement jaune.
 - Le chauffe-patio n'atteint PAS la température désirée.
 - La lueur du chauffe-patio n'est pas du tout uniforme.
 - Le chauffe-patio émet des bruits de claquement

Remarque: Dans une atmosphère saline (à proximité de la mer), les traces de rouille apparaissent plus vite qu'à la normale. Vérifiez régulièrement que l'appareil ne présente pas de points de rouille et réparez-les rapidement si nécessaire.

CONSEIL : Utilisez un lustrant automobile afin que votre chauffe-patio conserve son brillant. Appliquez le produit sur les surfaces extérieures du mât, de haut en bas. **N'appliquez pas de produit de lustrage sur la grille de l'émetteur de chaleur ni sur les dômes.**

Remisage et transport

1. Assurez-vous que le bouton de commande est sur « ⏹ ARRÊT » et que le robinet de la bouteille de propane est sur « CLOSED » (fermé).
 2. Débranchez la bouteille en suivant les instructions intitulées « Débrancher la bouteille de propane » (fermé).
 3. Nettoyez toutes les surfaces en suivant les instructions intitulées « Nettoyage des surfaces du chauffe-patio ».
 4. Protégez le chauffe-patio des intempéries en le recouvrant d'une housse et afin d'éviter toute accumulation de saleté à l'intérieur des orifices par où l'air circule.
- ⚠ **AVERTISSEMENT : Attendez que le chauffe-patio ait refroidi avant de le recouvrir d'une housse.**
5. Remisez le chauffe-patio en le plaçant debout à l'abri des intempéries telles que la pluie, la pluie verglaçante, la grêle, la neige, la poussière, les vents forts et autres débris.
 6. Placez le capuchon protecteur sur la bouteille de propane et entreposez la bouteille à l'extérieur dans un endroit largement aéré et à l'abri des rayons direct du soleil.

Enregistrement de l'appareil

Pour bénéficier plus rapidement du service offert par la garantie, veuillez enregistrer cet article immédiatement sur le site internet BlueRhino.com/Warranty ou appelez le 1.800.762.1142.

Pièces de rechange

Vous trouverez toutes les pièces de rechange nécessaires sur le site web parts.bluerhino.com ou appelez le 1.800.762.1142.

Garantie limitée

La société Blue Rhino Global Sourcing, Inc. (« Blue Rhino ») garantit cet article au premier acheteur au détail et à aucune autre personne, contre tout vice de matériau et de fabrication pendant un (1) an à partir de la date d'achat si cet article est monté et utilisé conformément aux instructions fournies. Blue Rhino vous demandera sans doute une preuve raisonnable d'achat datée, veuillez donc conserver votre facture ou votre reçu. Cette garantie limitée se limitera à la réparation ou au remplacement de pièces ayant été déterminées défectueuses par Blue Rhino lors de conditions d'utilisation et d'entretien normales. Avant de renvoyer une pièce, contactez le service à la clientèle de Blue Rhino. Si Blue Rhino confirme le défaut de fabrication et approuve la réclamation, ce dernier remplacera gratuitement les dites pièces. Si vous devez renvoyer des pièces défectueuses, les pièces devront être expédiées port-payé. Blue Rhino s'engage à renvoyer les pièces à l'acheteur port-payé.

Cette garantie limitée ne couvre pas les pannes et dysfonctionnements survenant suite à tout accident, mauvais usage, entretien incorrect de cet article, ou toute modification, mauvaise installation ou négligence comme il a été établi dans ce manuel. De plus, cette garantie limitée ne couvre pas les dommages au fini, à savoir les rayures, les bosses, les traces de décoloration, de rouille ou les dommages résultant des intempéries après achat de l'article.

Cette garantie remplace toute autre garantie expresse et il n'existe aucune autre garantie expresse à l'exception de la couverture indiquée ici. Blue Rhino désavoue toute garantie couvrant des produits ayant été achetés auprès de revendeurs autres que les revendeurs et distributeurs agréés y compris toute garantie de commerciabilité et d'adaptation à un usage particulier. BLUE RHINO DÉCLINE ÉGALEMENT TOUTE GARANTIE IMPLICITE Y COMPRIS TOUTE GARANTIE DE COMMERCIALITÉ ET D'ADAPTATION À UN USAGE PARTICULIER. BLUE RHINO NE POURRA ÊTRE TENU RESPONSABLE PAR L'ACHETEUR OU UN TIERS POUR TOUS DÉGÂTS ET DOMMAGES PARTICULIERS, INDIRECTS, PUNITIFS OU CONSÉCUTIFS. De plus, Blue Rhino désavoue toute garantie expresse ou implicite et décline toute responsabilité en cas de défaut de fabrication causés par un tiers.

Cette garantie limitée octroie des droits spécifiques à l'acheteur reconnus par la loi et il est possible que ce dernier en possède d'autres selon sa localité. Certaines juridictions ne permettent pas l'exclusion ni la limitation de dommages consécutifs ou accessoires ni la limitation en temps d'une garantie et ces limitations peuvent ne pas être applicables à tous.

Blue Rhino ne permet en aucun cas à une personne ou à une société de s'attribuer les responsabilités et les obligations liées à la vente, l'installation, l'utilisation, la dépose ou le remplacement de cet article, et aucune de ces représentations n'engage la responsabilité de Blue Rhino.

Blue Rhino Global Sourcing, Inc.
Winston-Salem, North Carolina 27105, États-Unis
1.800.762.1142

Caractéristiques techniques

Homologations :

Homologation 5.90 du CSA International
Norme canadienne CAN 1-2.23-M82 (Canadian National Standard)

Puissance :

Entrée maximum: 40 000 BTU/heure

Périmètre chauffé :

Jusqu'à 3 mètres de diamètre

Combustible :

Propane liquide (GPL)

Type de bouteille de gaz :

20 lb (9 kg) / 5 gallons (19 litres)

Pression d'admission :

Maximum – 150 PSI
Minimum – 5 PSI

Pression du collecteur :

11 po. (28 cm) de colonne d'eau.

Moteur :

IPP E1

Dispositifs de sécurité :

Système d'arrêt à détecteur d'épuisement d'oxygène (ODS)
Extinction à 100% des brûleurs
Contacteur d'arrêt en cas d'inclinaison

Fabricant :


Blue Rhino Global Sourcing, Inc.

Lieu de fabrication :

Chine



Guide de dépannage

Problème	Cause possible	Prévention/Mesure correctrice
La veilleuse ne s'allume pas.	Le robinet de la bouteille de propane est fermé.	Assurez-vous que le régulateur est solidement branché sur la bouteille en suivant les instructions « Installer la bouteille de propane » puis ouvrez le gaz en tournant le robinet de la bouteille de propane sur « OPEN » (ouvert).
	La bouteille de propane est vide ou presque vide.	Échangez, remplissez ou remplacez la bouteille de propane.
	Il y a une fuite de propane.	<ol style="list-style-type: none"> 1. Fermez le gaz en tournant le robinet de la bouteille de propane sur « CLOSED » (fermé). 2. Attendez 5 minutes pour que le gaz se dissipe. 3. Suivez les instructions du chapitre « Détecter une fuite » du manuel.
	La pile doit être remplacée.	Remplacez la pile « AA » (voir les instructions pour insérer la pile).
	Allumeur défectueux.	Allumez le chauffe-patio manuellement avec une allumette en suivant les instructions d'allumage. Si vous parvenez à allumer le chauffe-patio avec une allumette, remplacez l'allumeur.
	Veilleuse ou orifice bouché.	Nettoyez l'ensemble de la veilleuse : téléchargez les instructions de nettoyage du site www.BlueRhino.com
	Il y a de l'air dans le tuyau	<ol style="list-style-type: none"> 1. Ouvrez et purgez le tuyau de gaz (maintenez le bouton de commande appuyé) pendant 1 à 2 minutes ou jusqu'à ce que vous sentiez une odeur de gaz. 2. Tournez le bouton de commande sur «  ARRÊT ». 3. Attendez au moins 5 minutes pour que le gaz se dissipe.
Le brûleur ne s'allume pas.	Le bouton de commande n'est PAS sur « ON » (marche).	Relisez les instructions d'allumage puis essayez à nouveau.
	Le bouton de commande est sur « ON » (marche).	Relisez les instructions d'allumage puis essayez à nouveau.
	La bouteille de propane est vide ou presque vide.	Échangez, remplissez ou remplacez la bouteille de propane.
	Il y a une fuite de propane.	<ol style="list-style-type: none"> 1. Fermez le gaz en tournant le robinet de la bouteille de propane sur « CLOSED » (fermé). 2. Attendez 5 minutes pour que le gaz se dissipe. 3. Suivez les instructions du chapitre « Détecter une fuite » du manuel.
	Orifice bouché.	Débouchez l'orifice : téléchargez les instructions de nettoyage du site www.BlueRhino.com
	Le raccord entre la valve de gaz et la veilleuse est desserré.	<ol style="list-style-type: none"> 1. Éteignez le chauffe-patio en suivant les instructions intitulées « Éteindre le chauffe-patio ». 2. Débranchez la bouteille en suivant les instructions intitulées « Débrancher la bouteille de propane ». 3. Serrez le raccord. 4. Effectuez le test d'étanchéité en suivant les instructions intitulées « Détecter une fuite ».
Remarque: Le chauffe-patio fonctionne à un rendement moindre en dessous de 40°F (5°C). Il y a de l'air dans le tuyau de gaz.	Ouvrez et purgez le tuyau de gaz (maintenez le bouton de commande appuyé) pendant 1 à 2 minutes ou jusqu'à ce que vous sentiez une odeur de gaz.	
La veilleuse ne demeure pas allumée.	Accumulation de saleté autour de la veilleuse.	Nettoyez l'ensemble de la veilleuse : téléchargez les instructions de nettoyage du site www.BlueRhino.com
	Le raccord entre la valve de gaz et la veilleuse est desserré.	<ol style="list-style-type: none"> 1. Éteignez le chauffe-patio en suivant les instructions intitulées « Éteindre le chauffe-patio ». 2. Débranchez la bouteille en suivant les instructions intitulées « Débrancher la bouteille de propane ». 3. Serrez le raccord. 4. Effectuez le test d'étanchéité en suivant les instructions intitulées « Détecter une fuite ».
	Remarque: Le chauffe-patio fonctionne à un rendement moindre en dessous de 40°F (5°C). Il y a de l'air dans le tuyau de gaz.	Ouvrez et purgez le tuyau de gaz (maintenez le bouton de commande appuyé) pendant 1 à 2 minutes ou jusqu'à ce que vous sentiez une odeur de gaz.
	Le thermocouple est défectueux.	<ol style="list-style-type: none"> 1. Nettoyez le chauffe-patio: téléchargez les instructions de nettoyage du site www.BlueRhino.com. 2. Si le chauffe-patio ne fonctionne toujours pas, procurez-vous une nouvelle veilleuse auprès du fabricant. Appelez notre service à la clientèle au 1.800.762.1142.
Le brûleur ne demeure pas allumé.	Le raccord entre la valve de gaz et la veilleuse est desserré.	Serrez le raccord et effectuez le test d'étanchéité afin de déterminer si ce dernier présente une fuite.
	Le thermocouple est défectueux.	<ol style="list-style-type: none"> 1. Nettoyez le chauffe-patio: téléchargez les instructions de nettoyage du site www.BlueRhino.com. 2. Si le chauffe-patio ne fonctionne toujours pas, procurez-vous une nouvelle veilleuse auprès du fabricant. Appelez notre service à la clientèle au 1.800.762.1142.
	Le brûleur est bouché.	<ol style="list-style-type: none"> 1. Éteignez le chauffe-patio en suivant les instructions intitulées « Éteindre le chauffe-patio ». 2. Débouchez le brûleur et nettoyez l'intérieur et l'extérieur du brûleur : téléchargez les instructions de nettoyage du site www.BlueRhino.com

Guide de dépannage (suite)

La flamme du brûleur est basse. Remarque: Le chauffe-patio fonctionne à un rendement moindre en dessous de 40°F (5°C).	La bouteille de propane est vide ou presque vide.	Échangez, remplissez ou remplacez la bouteille de propane.
	La température extérieure est inférieure à 40°F (5°C) et la bouteille de gaz n'est pleine qu'au 1/4 de sa capacité.	1. Éteignez le chauffe-patio en suivant les instructions intitulées « Éteindre le chauffe-patio ». 2. Branchez une nouvelle bouteille pleine de propane en suivant les instructions intitulées « Brancher la bouteille de propane ».
	Le tuyau d'alimentation du gaz est plié ou tordu.	1. Éteignez le chauffe-patio en suivant les instructions intitulées « Éteindre le chauffe-patio ». 2. Dépliez le tuyau. S'il est fissuré, procurez-vous un nouveau tuyau auprès du fabricant
La lueur de l'émetteur n'est pas uniforme. Remarque: Les derniers 2,5 cm au bas de l'émetteur NE présentent PAS de lueur.	La bouteille de propane est vide ou presque vide.	Échangez, remplissez ou remplacez la bouteille de propane.
	Le socle n'est pas sur une surface à niveau.	Placez le chauffe-patio sur une surface plane et à niveau.
	Le brûleur est bouché.	1. Éteignez le chauffe-patio en suivant les instructions intitulées « Éteindre le chauffe-patio ». 2. Après que le chauffe-patio ait refroidi, débouchez le brûleur et nettoyez l'intérieur et l'extérieur du brûleur. Téléchargez les instructions de nettoyage du site www.BlueRhino.com
Fumée épaisse noire.	Le brûleur est bouché.	1. Éteignez le chauffe-patio en suivant les instructions intitulées « Éteindre le chauffe-patio ». 2. Après que le chauffe-patio ait refroidi, débouchez le brûleur et nettoyez l'intérieur et l'extérieur du brûleur. Téléchargez les instructions de nettoyage du site www.BlueRhino.com

Pour toute assistance, veuillez consulter notre site internet BlueRhino.com ou appelez le 1.800.762.1142.